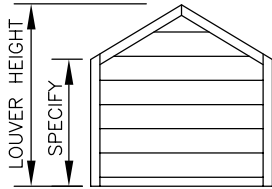
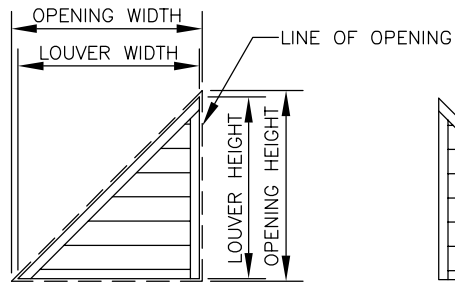


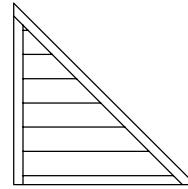
SHAPE "TA"



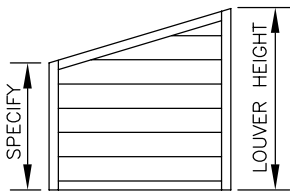
SHAPE "TB"



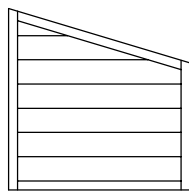
SHAPE "TC"



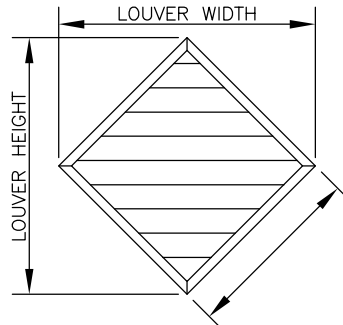
SHAPE "TE"



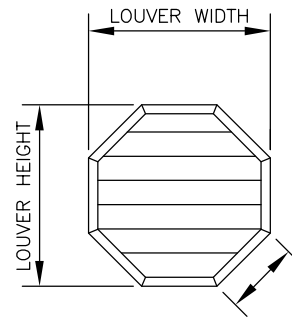
SHAPE "TF"



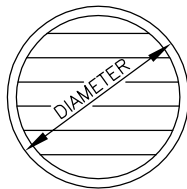
SHAPE "TG"



SHAPE "TH"



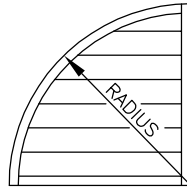
SHAPE "TJ"



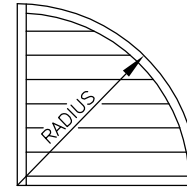
SHAPE "RA"



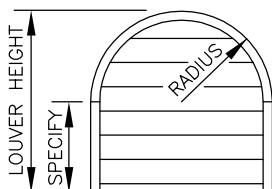
SHAPE "RB"



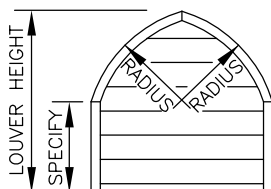
SHAPE "RC"



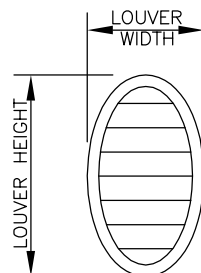
SHAPE "RD"



SHAPE "RE"



SHAPE "RF"



SHAPE "RG"

NOTE:  
FOR BEST RESULTS, PROVIDE  
OPENING SIZES AND AIROLITE  
WILL FIGURE THE ACTUAL  
LOUVER SIZES.

**ELEVATIONS VIEWED  
FROM THE EXTERIOR**



DRAWN BY: RH

SCALE: NONE

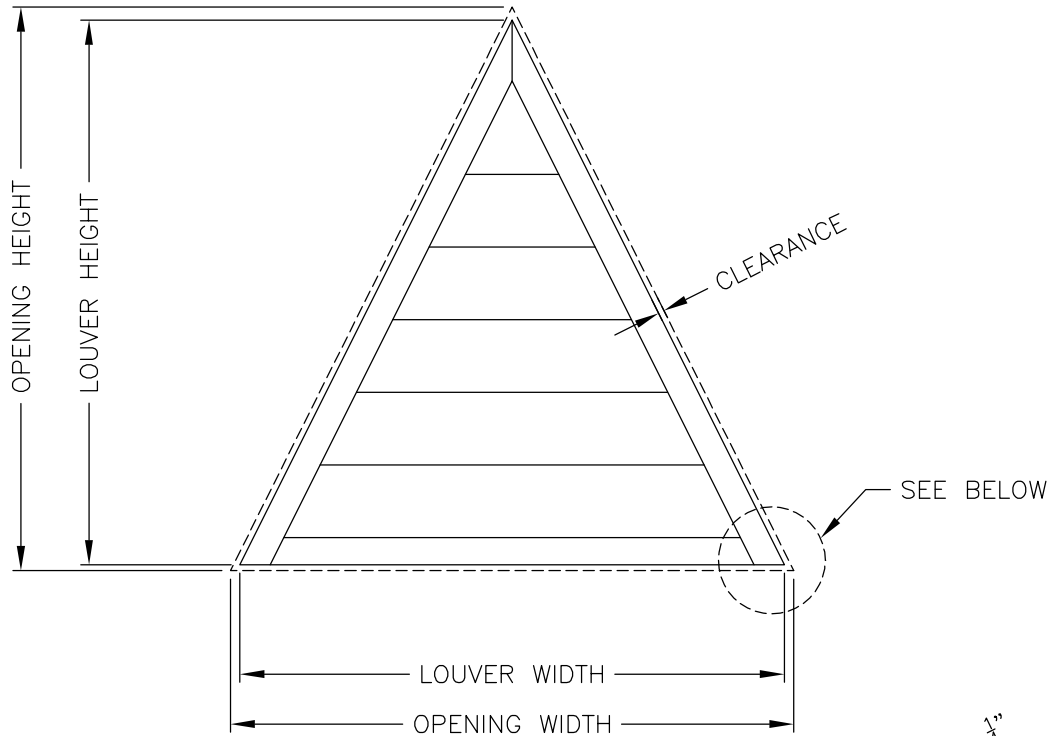
DATE: 5/7/07

**ARCHITECTURAL  
LOUVER  
SHAPES**

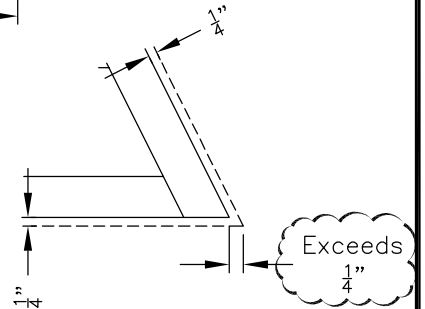
REV. NO: 1

FORM NO:

# SHAPE "TA"



**ELEVATION VIEWED FROM THE EXTERIOR**



**NOTE:**  
 FOR BEST RESULTS, PROVIDE  
 OPENING SIZES AND CLEARANCE.  
 AIROLITE WILL FIGURE THE ACTUAL  
 LOUVER SIZES.

ITEM	QUANTITY	OPENING SIZE	LOUVER SIZE	CLEARANCE

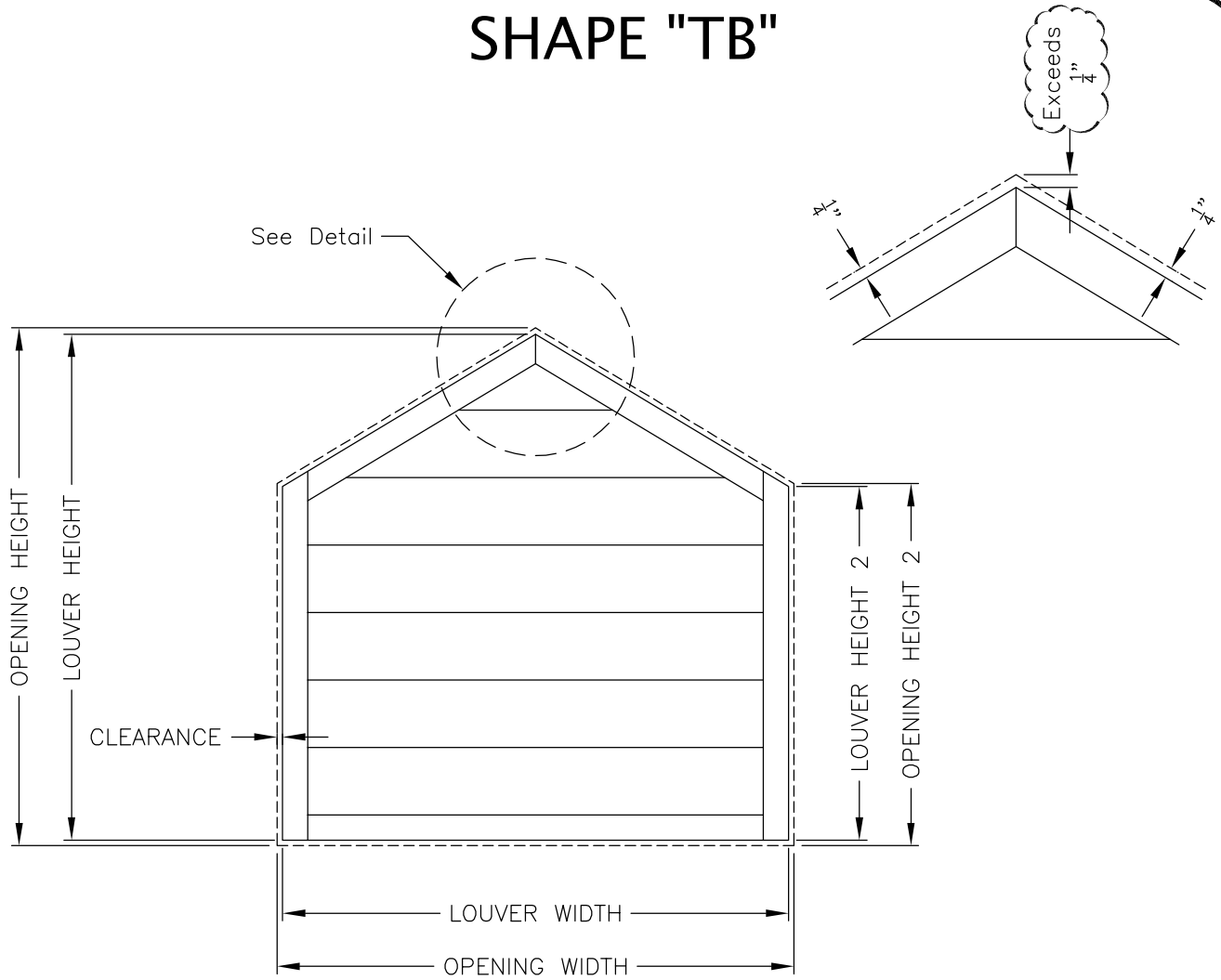


DRAWN BY: RH  
 SCALE: NONE  
 DATE: 8/22/07

**ARCHITECTURAL  
 LOUVER SHAPE  
 TA**

REV. NO:      FORM NO:

# SHAPE "TB"



**NOTE:**  
 FOR BEST RESULTS, PROVIDE  
 OPENING SIZES AND CLEARANCE.  
 AIROLITE WILL FIGURE THE ACTUAL  
 LOUVER SIZES.

## **ELEVATION VIEWED FROM THE EXTERIOR**

ITEM	QUANTITY	OPENING SIZE	LOUVER SIZE	CLEARANCE

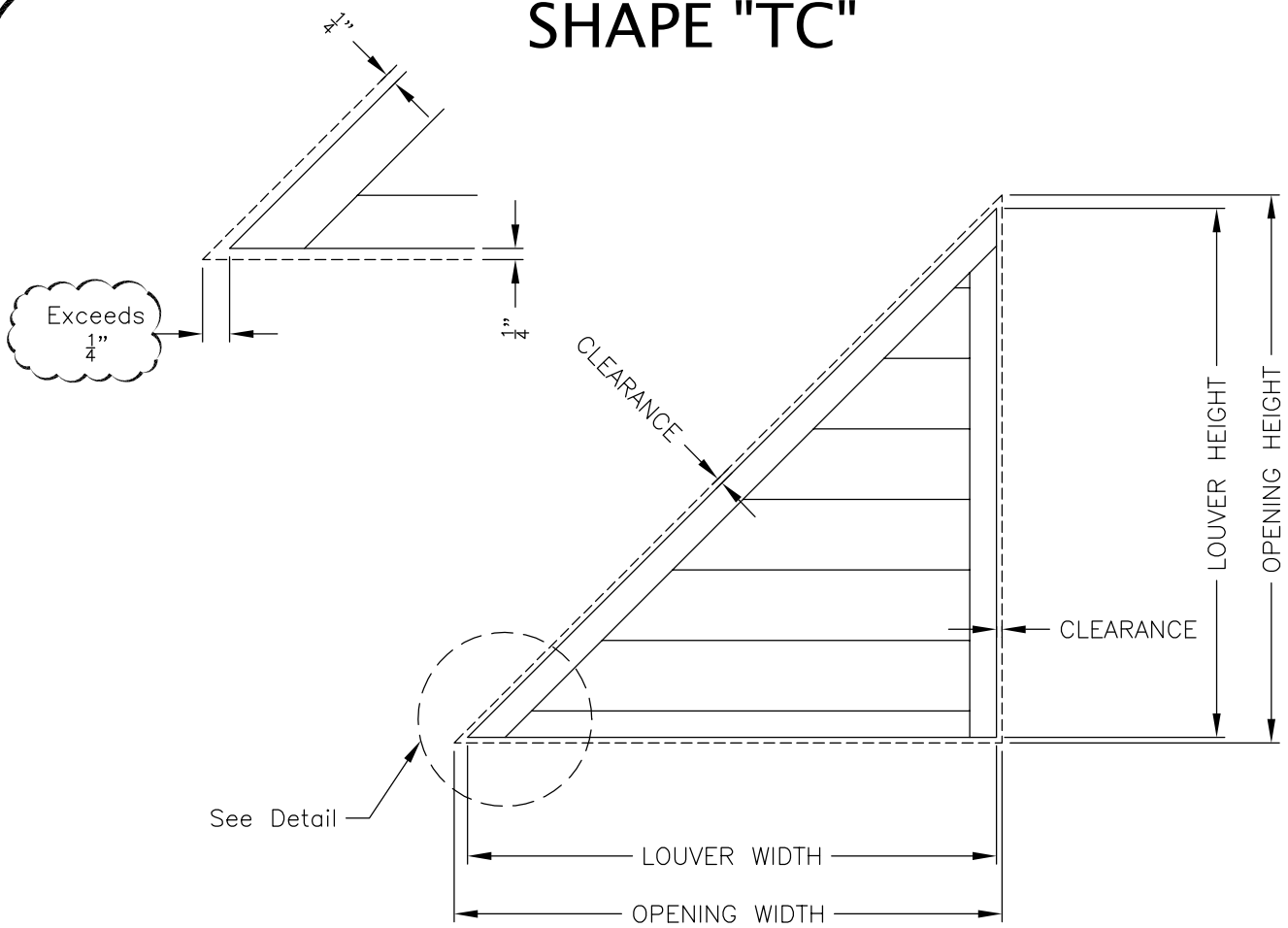


DRAWN BY: RH  
 SCALE: NONE  
 DATE: 8/22/07

### **ARCHITECTURAL LOUVER SHAPE TB**

REV. NO:      FORM NO:

# SHAPE "TC"



## **ELEVATION VIEWED FROM THE EXTERIOR**

**NOTE:**  
FOR BEST RESULTS, PROVIDE  
OPENING SIZES AND CLEARANCE.  
AIROLITE WILL FIGURE THE ACTUAL  
LOUVER SIZES.

ITEM	QUANTITY	OPENING SIZE	LOUVER SIZE	CLEARANCE

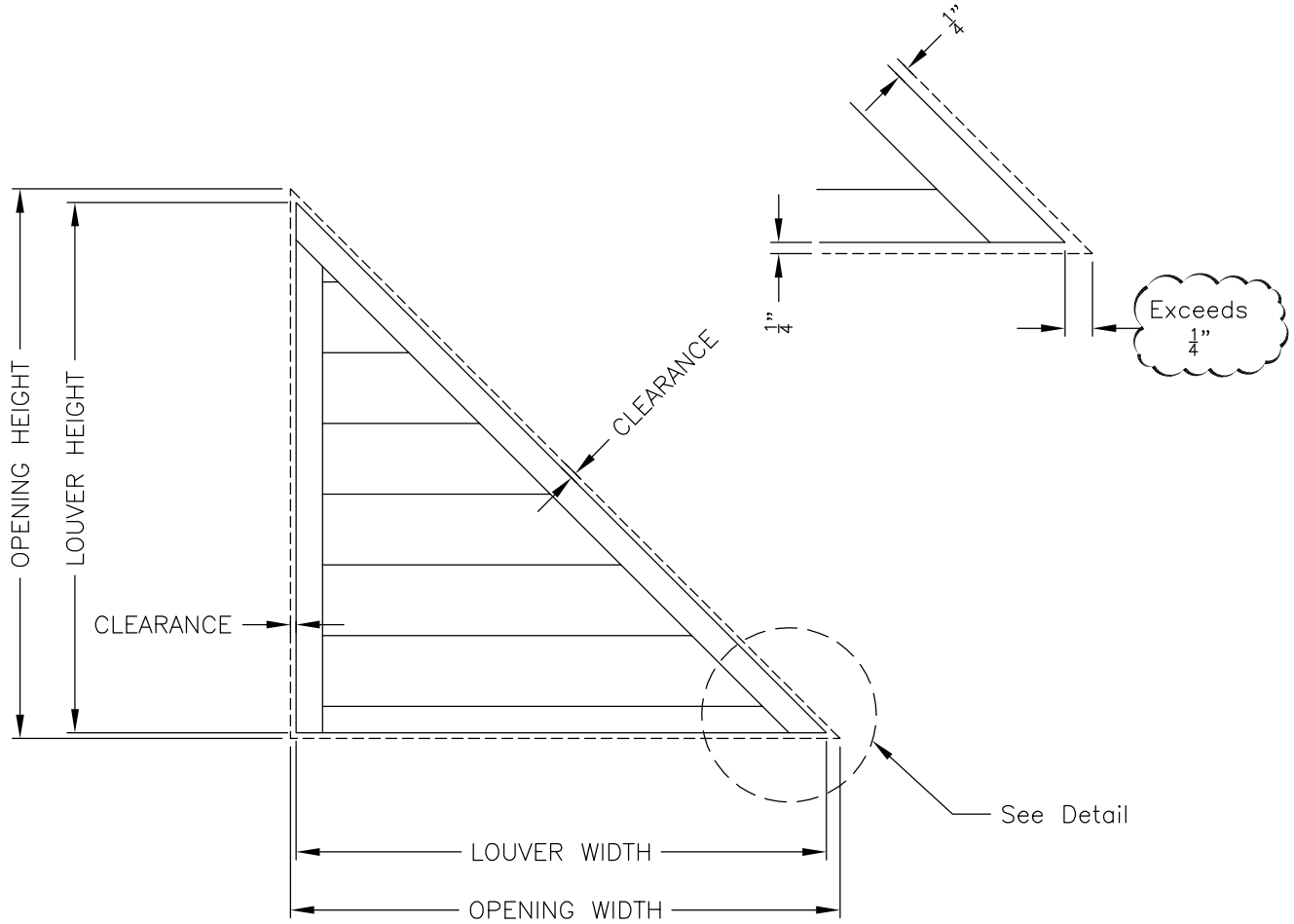


DRAWN BY: RH  
SCALE: NONE  
DATE: 8/22/07

### ARCHITECTURAL LOUVER SHAPE TC

REV. NO:      FORM NO:

# SHAPE "TE"



**NOTE:**  
 FOR BEST RESULTS, PROVIDE  
 OPENING SIZES AND CLEARANCE.  
 AIROLITE WILL FIGURE THE ACTUAL  
 LOUVER SIZES.

**ELEVATION VIEWED  
 FROM THE EXTERIOR**

ITEM	QUANTITY	OPENING SIZE	LOUVER SIZE	CLEARANCE

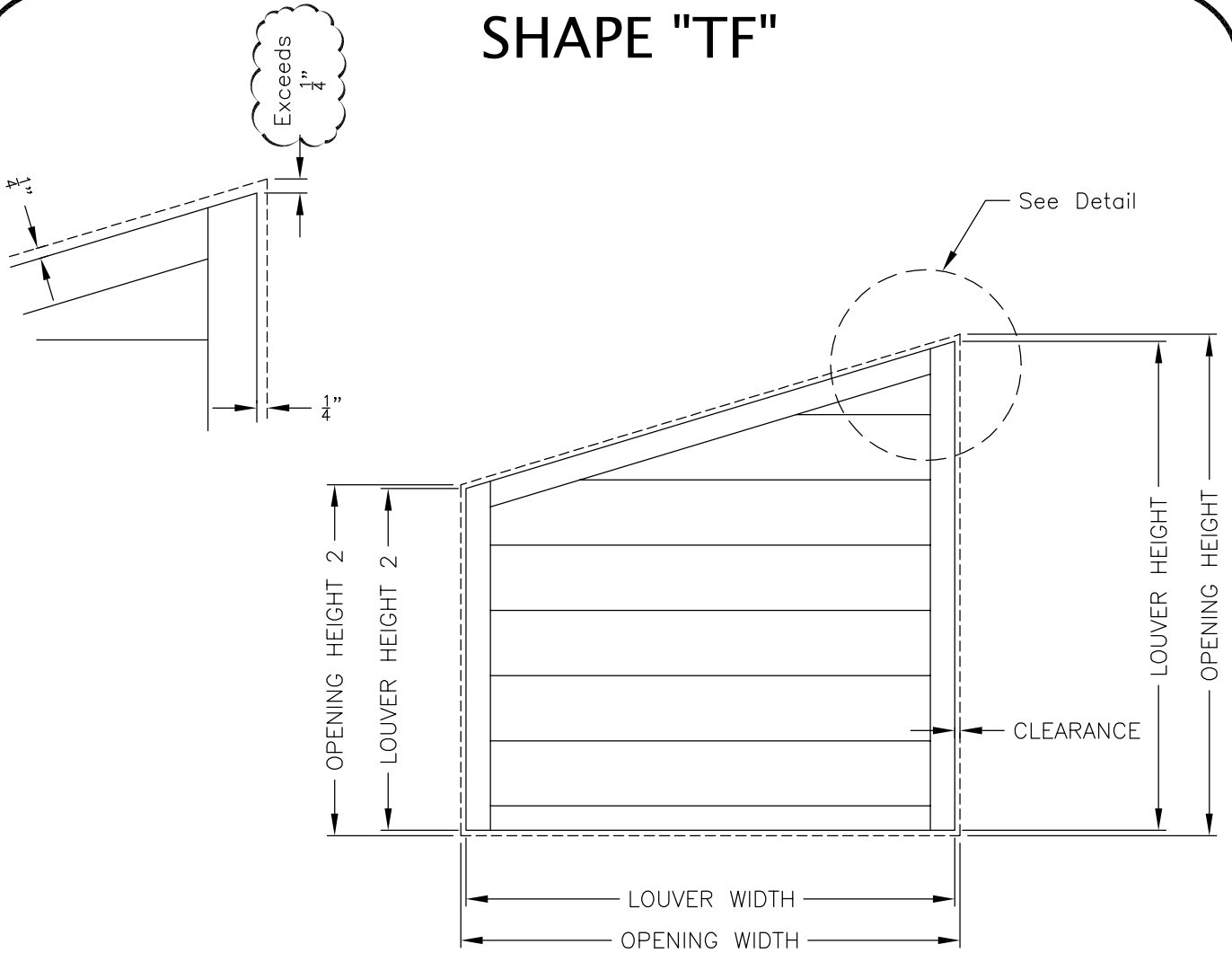


DRAWN BY: RH  
 SCALE: NONE  
 DATE: 8/22/07

**ARCHITECTURAL  
 LOUVER SHAPE  
 TE**

REV. NO:      FORM NO:

# SHAPE "TF"



NOTE:  
 FOR BEST RESULTS, PROVIDE  
 OPENING SIZES AND CLEARANCE.  
 AIROLITE WILL FIGURE THE ACTUAL  
 LOUVER SIZES.

## **ELEVATION VIEWED FROM THE EXTERIOR**

ITEM	QUANTITY	OPENING SIZE	LOUVER SIZE	CLEARANCE



DRAWN BY: RH

SCALE: NONE

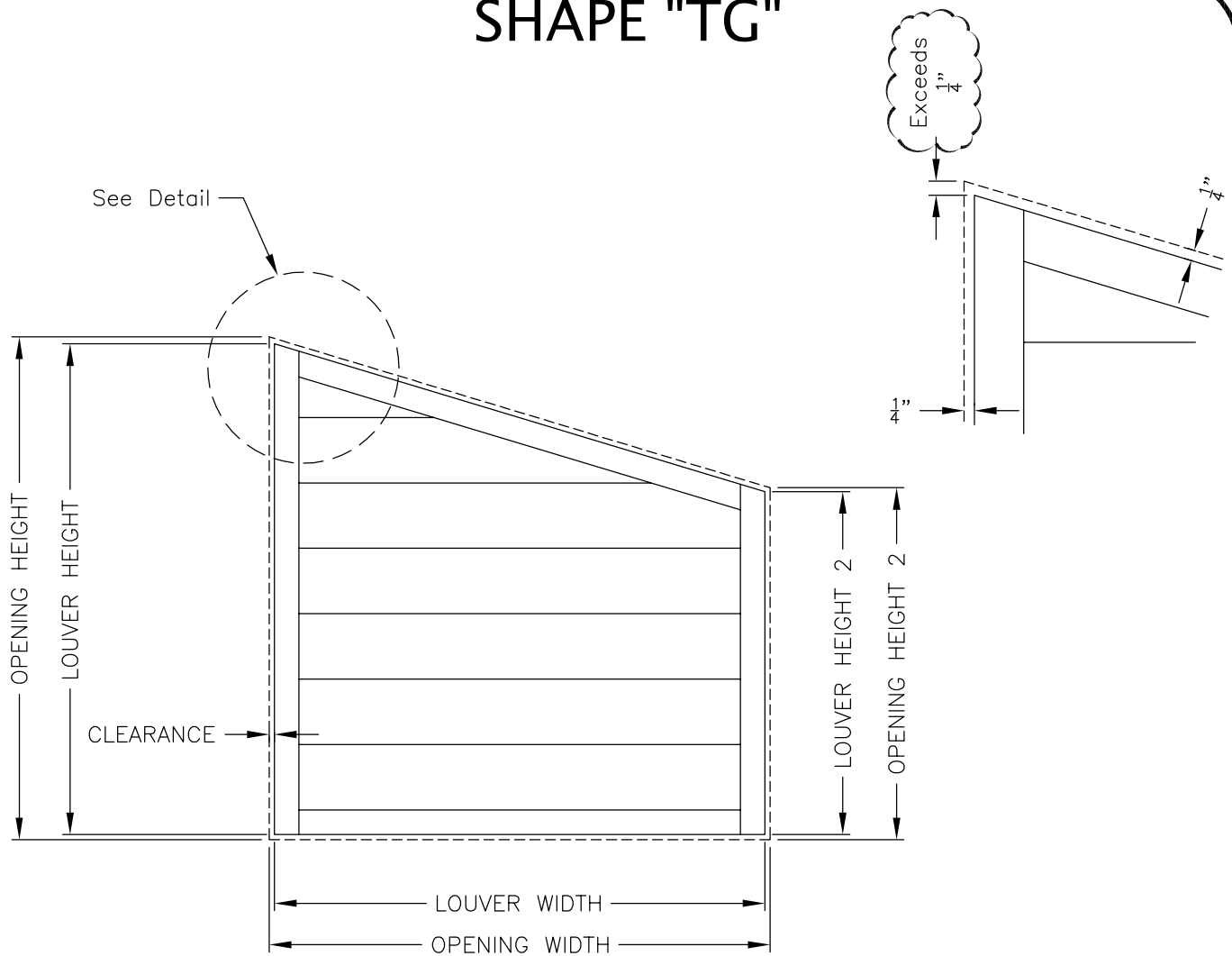
DATE: 8/22/07

**ARCHITECTURAL  
 LOUVER SHAPE  
 TF**

REV. NO:

FORM NO:

# SHAPE "TG"



**NOTE:**  
 FOR BEST RESULTS, PROVIDE  
 OPENING SIZES AND CLEARANCE.  
 AIROLITE WILL FIGURE THE ACTUAL  
 LOUVER SIZES.

## **ELEVATION VIEWED FROM THE EXTERIOR**

ITEM	QUANTITY	OPENING SIZE	LOUVER SIZE	CLEARANCE



DRAWN BY: RH

SCALE: NONE

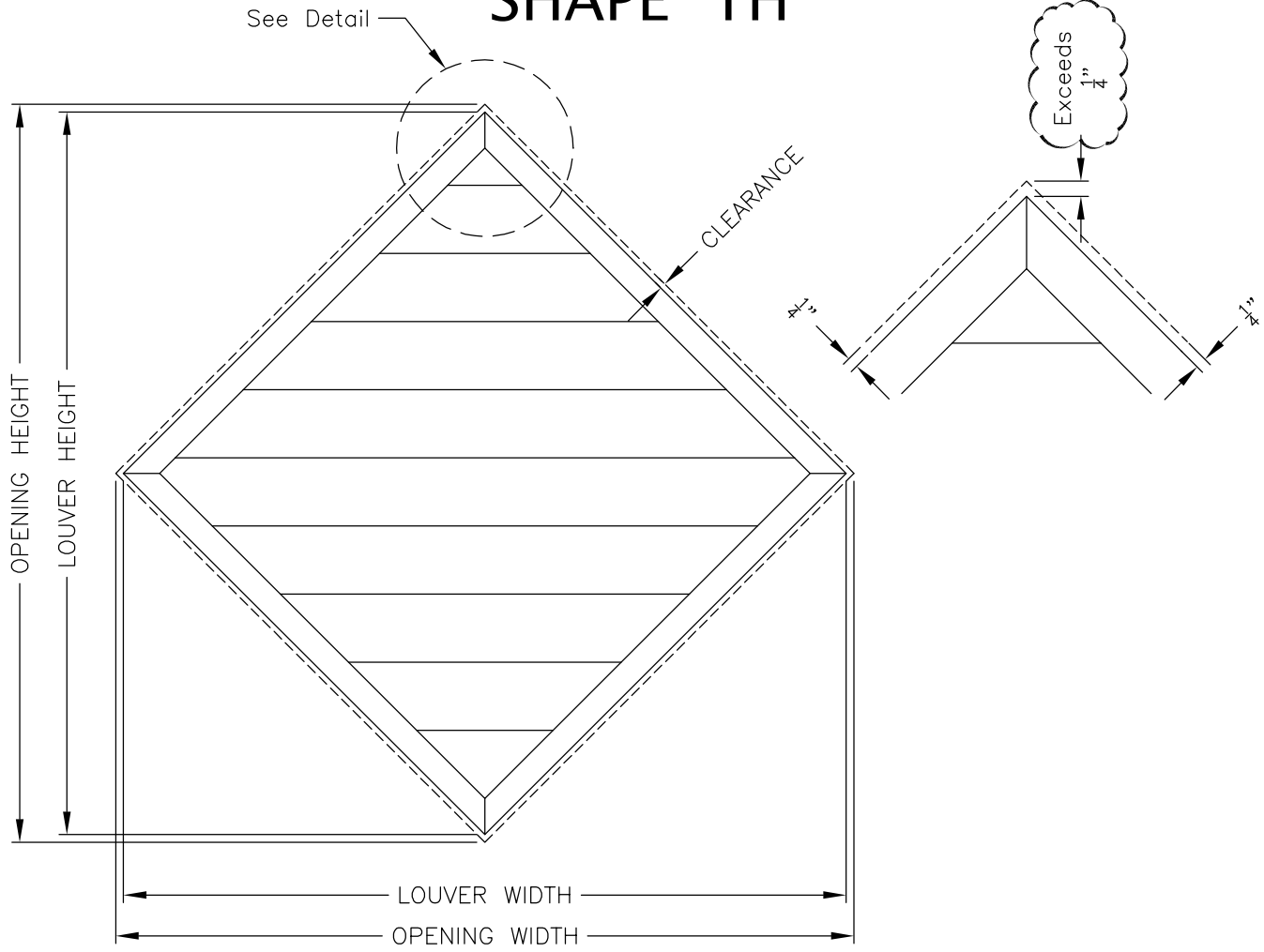
DATE: 8/22/07

### **ARCHITECTURAL LOUVER SHAPE TG**

REV. NO:

FORM NO:

# SHAPE "TH"



NOTE:  
 FOR BEST RESULTS, PROVIDE  
 OPENING SIZES AND CLEARANCE.  
 AIROLITE WILL FIGURE THE ACTUAL  
 LOUVER SIZES.

## **ELEVATION VIEWED FROM THE EXTERIOR**

ITEM	QUANTITY	OPENING SIZE	LOUVER SIZE	CLEARANCE

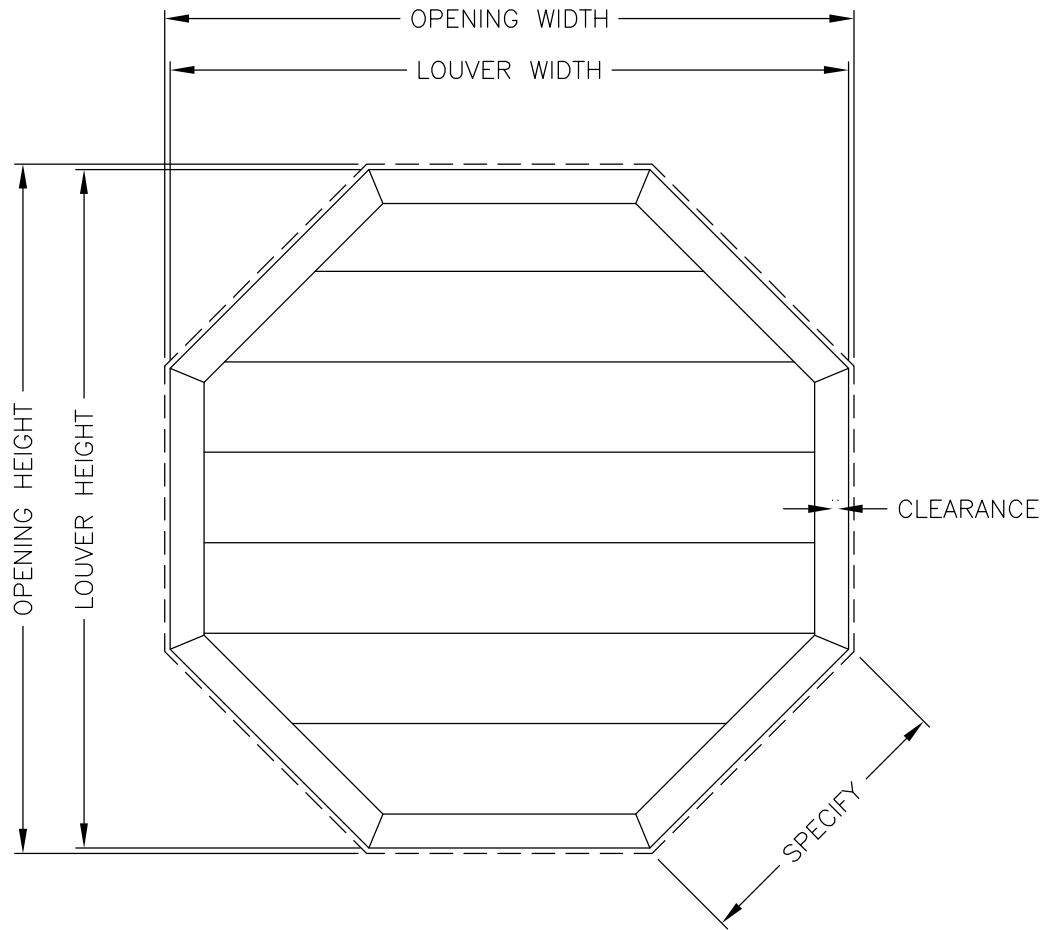


DRAWN BY: RH  
 SCALE: NONE  
 DATE: 8/22/07

**ARCHITECTURAL  
 LOUVER SHAPE  
 TH**

REV. NO:      FORM NO:

# SHAPE "TJ"



**NOTE:**  
 FOR BEST RESULTS, PROVIDE  
 OPENING SIZES AND CLEARANCE.  
 AIROLITE WILL FIGURE THE ACTUAL  
 LOUVER SIZES.

## **ELEVATION VIEWED FROM THE EXTERIOR**

ITEM	QUANTITY	OPENING SIZE	LOUVER SIZE	CLEARANCE

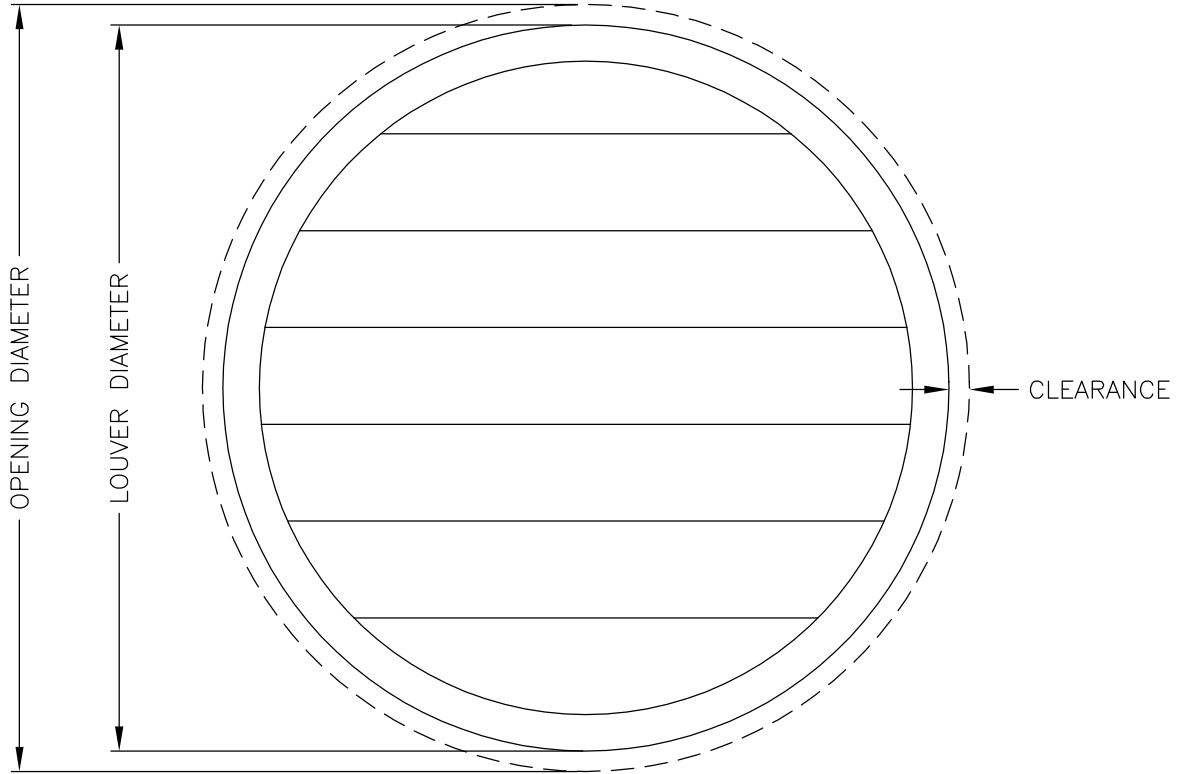


DRAWN BY: MA  
 SCALE: NONE  
 DATE: 10/11/07

### **ARCHITECTURAL LOUVER SHAPE TJ**

REV. NO:      FORM NO:

# SHAPE "RA"



**NOTE:**  
 FOR BEST RESULTS, PROVIDE  
 OPENING SIZES AND CLEARANCE.  
 AIROLITE WILL FIGURE THE ACTUAL  
 LOUVER SIZES.

**ELEVATION VIEWED  
 FROM THE EXTERIOR**

ITEM	QUANTITY	OPENING SIZE	LOUVER SIZE	CLEARANCE

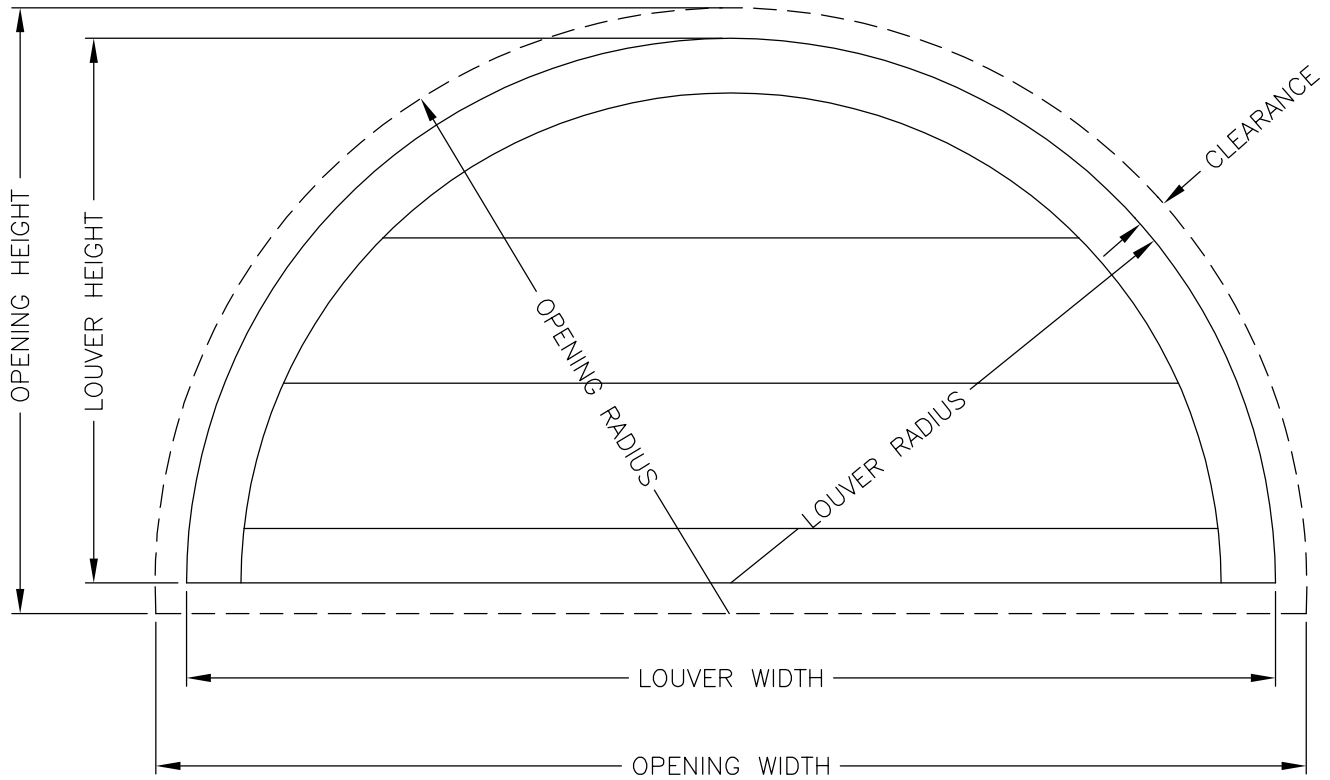


DRAWN BY: MA  
 SCALE: NONE  
 DATE: 10/11/07

**ARCHITECTURAL  
 LOUVER SHAPE  
 RA**

REV. NO:      FORM NO:

# SHAPE "RB"



**NOTE:**  
 FOR BEST RESULTS, PROVIDE  
 OPENING SIZES AND CLEARANCE.  
 AIROLITE WILL FIGURE THE ACTUAL  
 LOUVER SIZES.

**ELEVATION VIEWED  
 FROM THE EXTERIOR**

ITEM	QUANTITY	OPENING SIZE	LOUVER SIZE	CLEARANCE

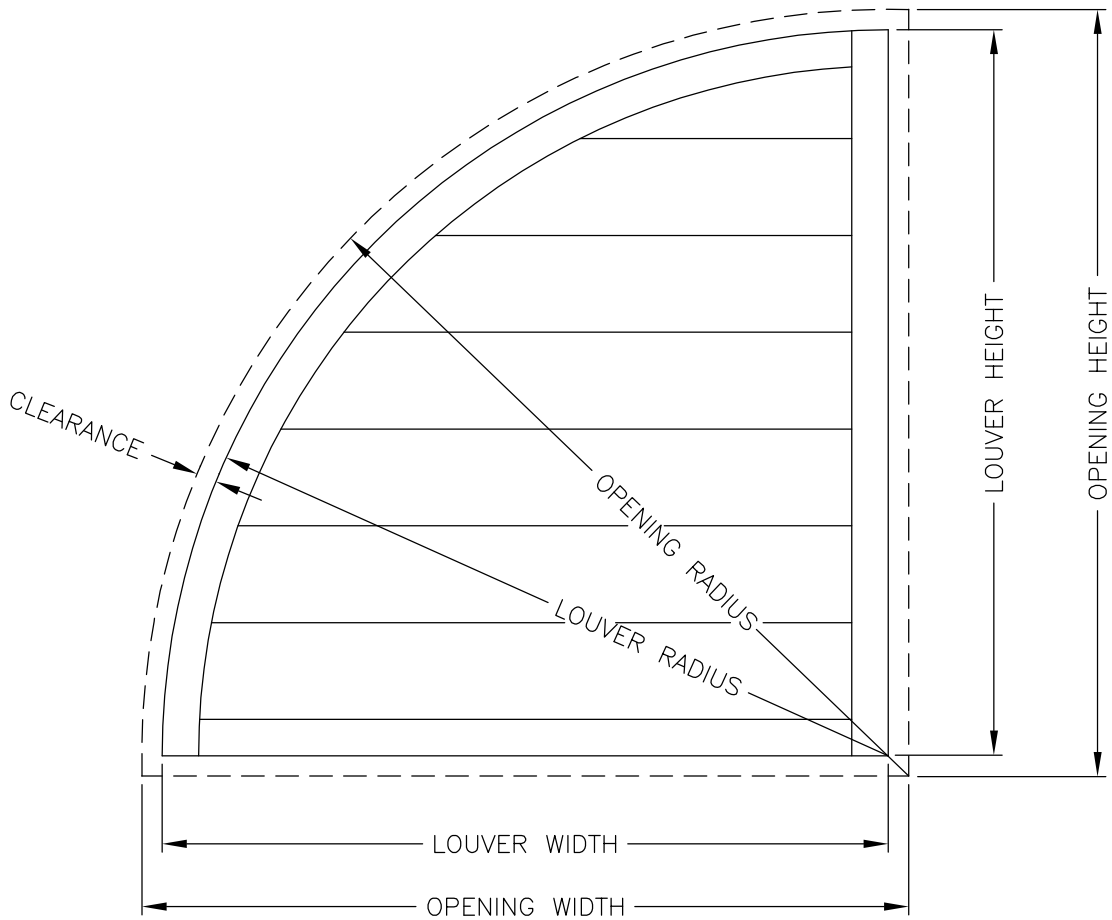


DRAWN BY: MA  
 SCALE: NONE  
 DATE: 10/11/07

**ARCHITECTURAL  
 LOUVER SHAPE  
 RB**

REV. NO:      FORM NO:

# SHAPE "RC"



NOTE:  
 FOR BEST RESULTS, PROVIDE  
 OPENING SIZES AND CLEARANCE.  
 AIROLITE WILL FIGURE THE ACTUAL  
 LOUVER SIZES.

## **ELEVATION VIEWED FROM THE EXTERIOR**

ITEM	QUANTITY	OPENING SIZE	LOUVER SIZE	CLEARANCE

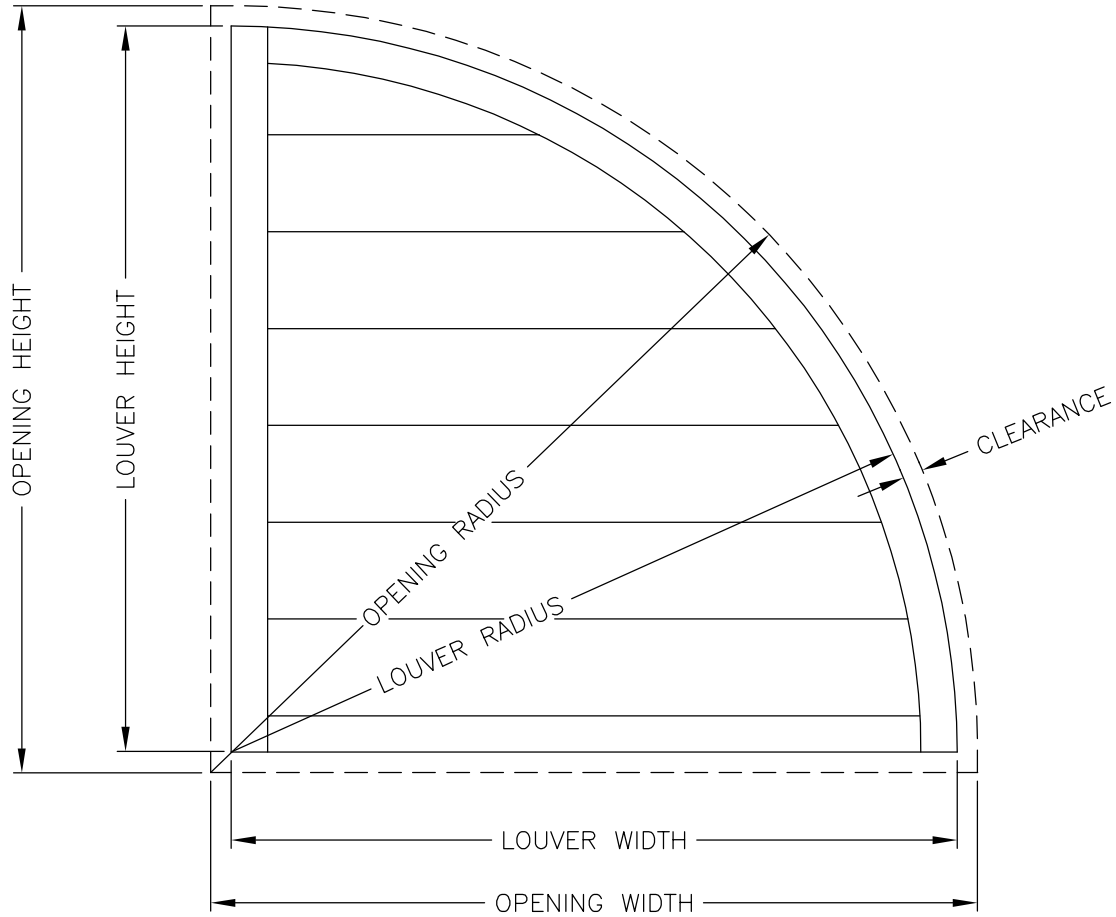


DRAWN BY: MA  
 SCALE: NONE  
 DATE: 10/11/07

### **ARCHITECTURAL LOUVER SHAPE RC**

REV. NO:      FORM NO:

# SHAPE "RD"



**NOTE:**  
 FOR BEST RESULTS, PROVIDE  
 OPENING SIZES AND CLEARANCE.  
 AIROLITE WILL FIGURE THE ACTUAL  
 LOUVER SIZES.

## **ELEVATION VIEWED FROM THE EXTERIOR**

ITEM	QUANTITY	OPENING SIZE	LOUVER SIZE	CLEARANCE



DRAWN BY: MA

SCALE: NONE

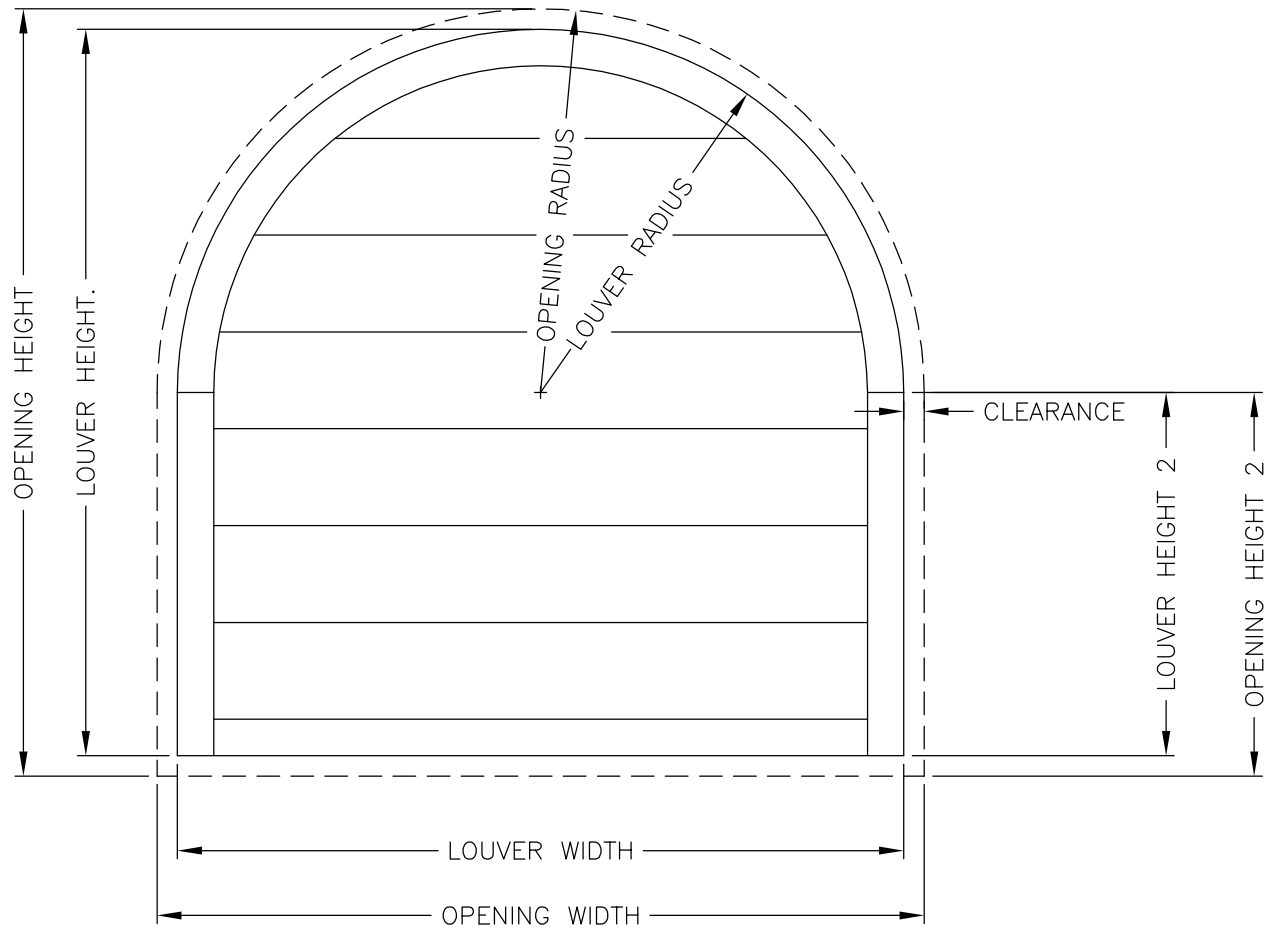
DATE: 10/11/07

**ARCHITECTURAL  
 LOUVER SHAPE  
 RD**

REV. NO:

FORM NO:

# SHAPE "RE"



**NOTE:**  
 FOR BEST RESULTS, PROVIDE  
 OPENING SIZES AND CLEARANCE.  
 AIROLITE WILL FIGURE THE ACTUAL  
 LOUVER SIZES.

**ELEVATION VIEWED  
 FROM THE EXTERIOR**

ITEM	QUANTITY	OPENING SIZE	LOUVER SIZE	CLEARANCE

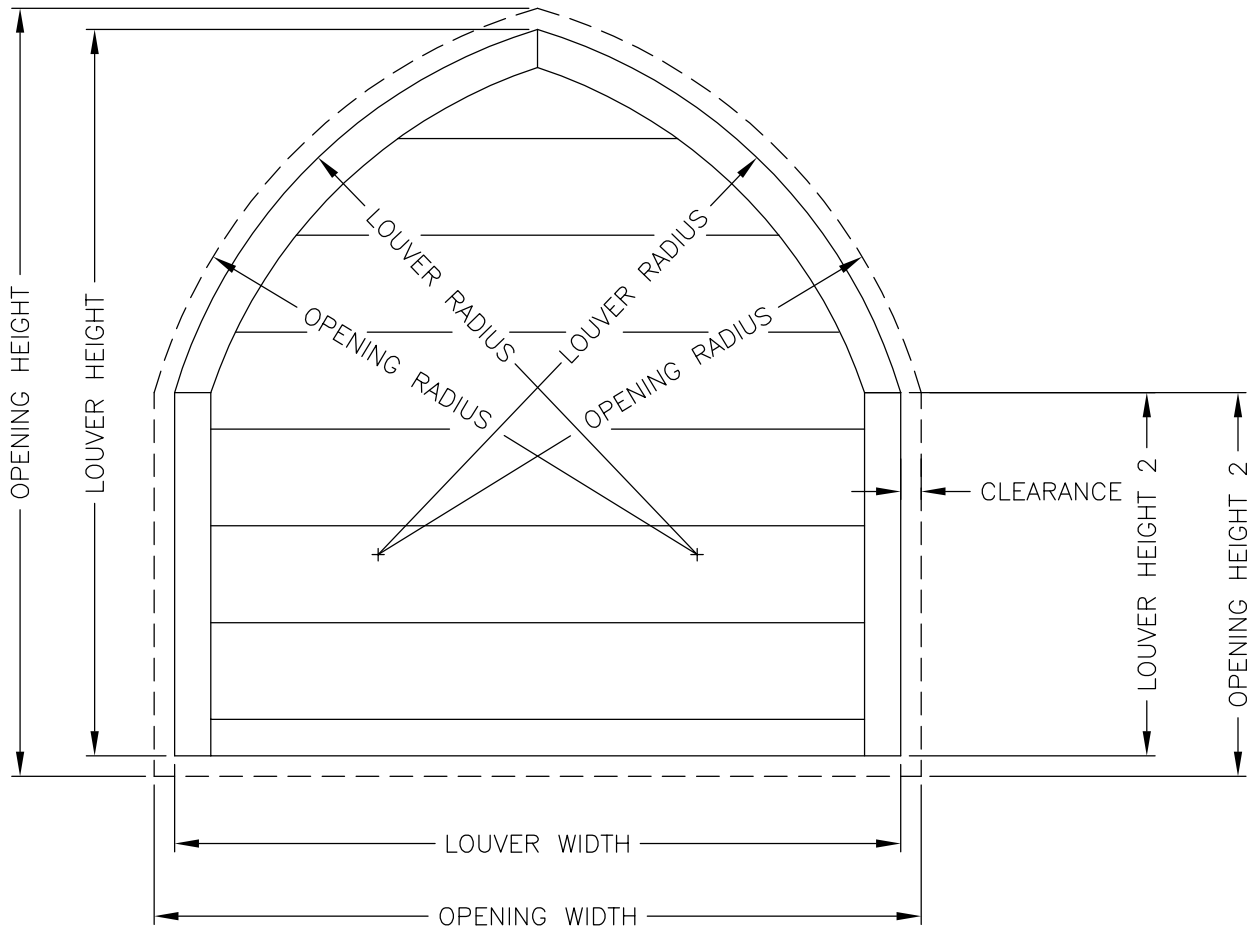


DRAWN BY: MA  
 SCALE: NONE  
 DATE: 10/11/07

**ARCHITECTURAL  
 LOUVER SHAPE  
 RE**

REV. NO:      FORM NO:

# SHAPE "RF"



**NOTE:**  
 FOR BEST RESULTS, PROVIDE  
 OPENING SIZES AND CLEARANCE.  
 AIROLITE WILL FIGURE THE ACTUAL  
 LOUVER SIZES.

## **ELEVATION VIEWED FROM THE EXTERIOR**

ITEM	QUANTITY	OPENING SIZE	LOUVER SIZE	CLEARANCE

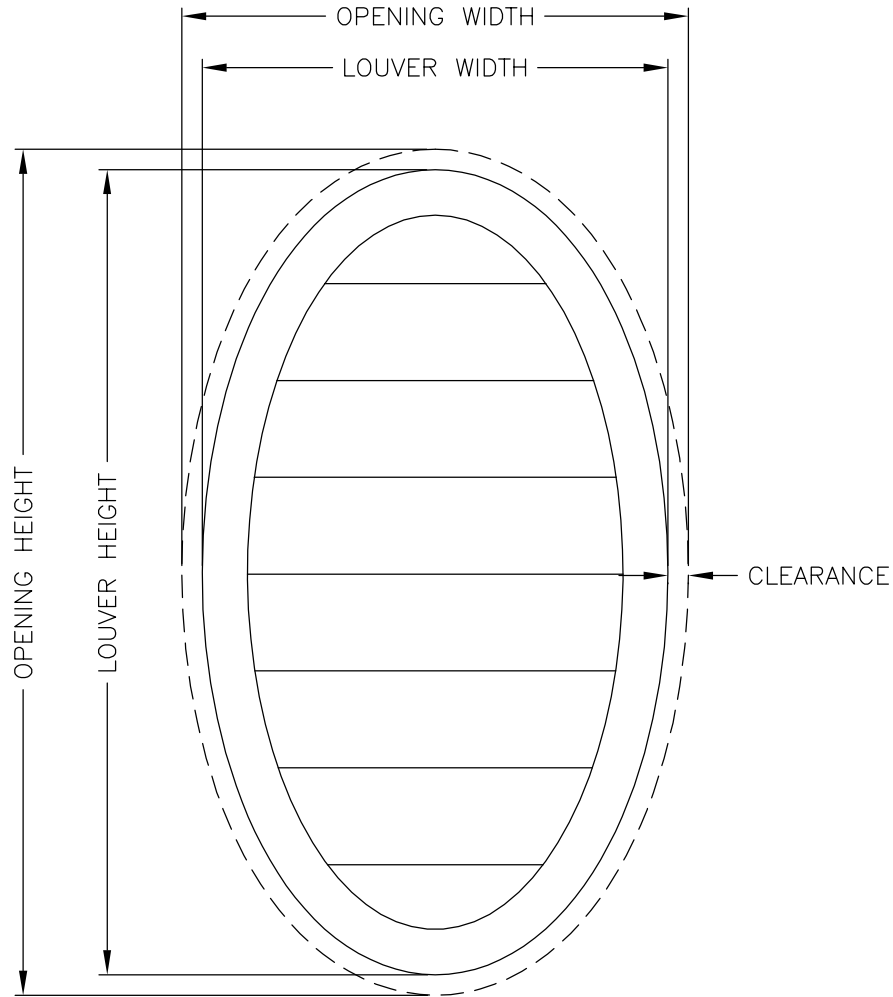


DRAWN BY: MA  
 SCALE: NONE  
 DATE: 10/11/07

### **ARCHITECTURAL LOUVER SHAPE RF**

REV. NO:      FORM NO:

# SHAPE "RG"



**NOTE:**  
 FOR BEST RESULTS, PROVIDE  
 OPENING SIZES AND CLEARANCE.  
 AIROLITE WILL FIGURE THE ACTUAL  
 LOUVER SIZES.

## **ELEVATION VIEWED FROM THE EXTERIOR**

ITEM	QUANTITY	OPENING SIZE	LOUVER SIZE	CLEARANCE



DRAWN BY: MA  
 SCALE: NONE  
 DATE: 10/11/07

### **ARCHITECTURAL LOUVER SHAPE RG**

REV. NO:      FORM NO: