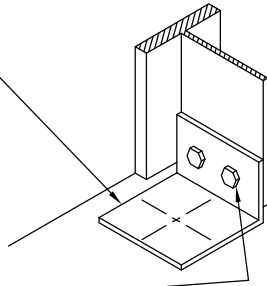


TYPICAL TEE CONNECTION

@ HEAD & SILL

1" X 1 1/2" X 12 GA. X 1 1/2" LONG ALUM.
CLIP ANGLES AT HEAD AND SILL OF TEE STIFFENER.

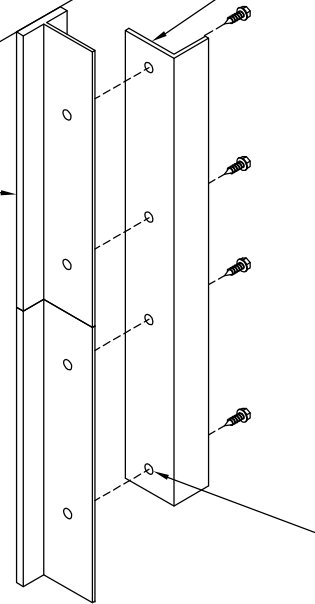


LINE OF LOUVER

TEE STIFFENER

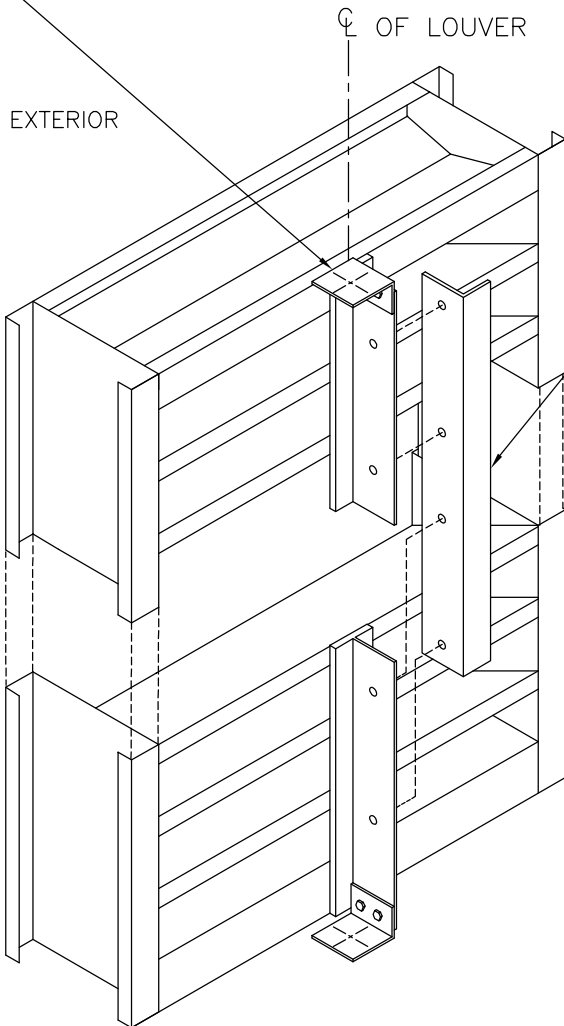
TYPICAL TEE STIFFENER SPLICE
WHEN REQUIRED

1" X 1 1/2" X 12 GA. X 12"
LONG SPLICE ANGLE LOCATED AT
INVISIBLE HORIZONTAL JOINT.



CLIP ANGLE SUPPLIED WITH #10 STAINLESS STEEL
SHEET METAL SCREWS FOR ANGLE ATTACHMENT TO TEE.
TEE DRILLED IN FIELD NOT BY AIROLITE USING HOLES IN
ANGLE AS TEMPLATE. ANCHORS FOR ANGLE ATTACHMENT TO
WALL CONDITIONS NOT BY AIROLITE.

SPLICE ANGLE SUPPLIED WITH 7/32"
DIA HOLES AND #10 STAINLESS STEEL
SHEET METAL SCREWS FOR ATTACHMENT
TO TEE. TEE STIFFENER DRILLED IN
FIELD NOT BY AIROLITE USING HOLES IN
ANGLE AS TEMPLATE.



DRAWN BY: RH

SCALE: NONE

DATE: 2/01

**TYPICAL STATIONARY LOUVER DETAIL:
BLADE STIFFENER**

REV. NO: 0

FORM NO: 623045