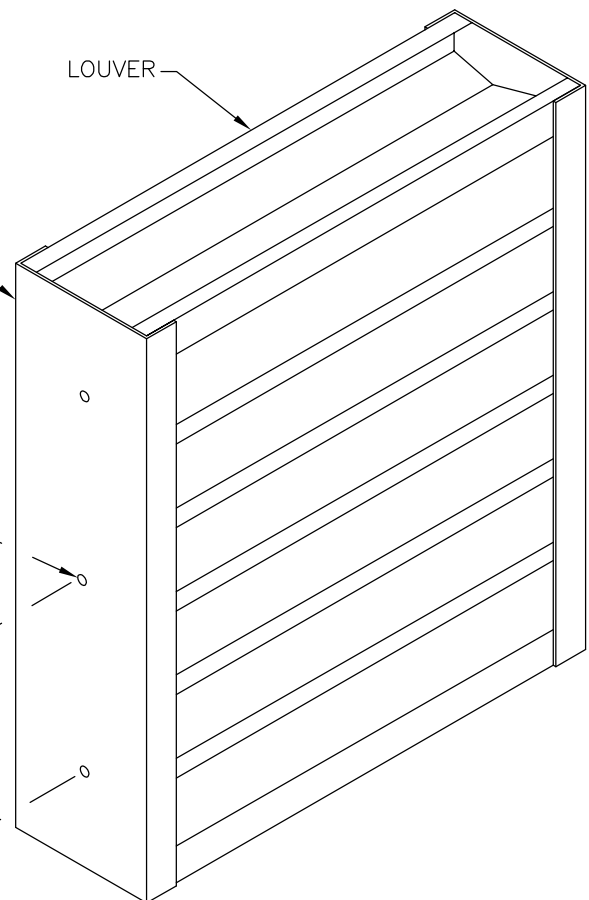
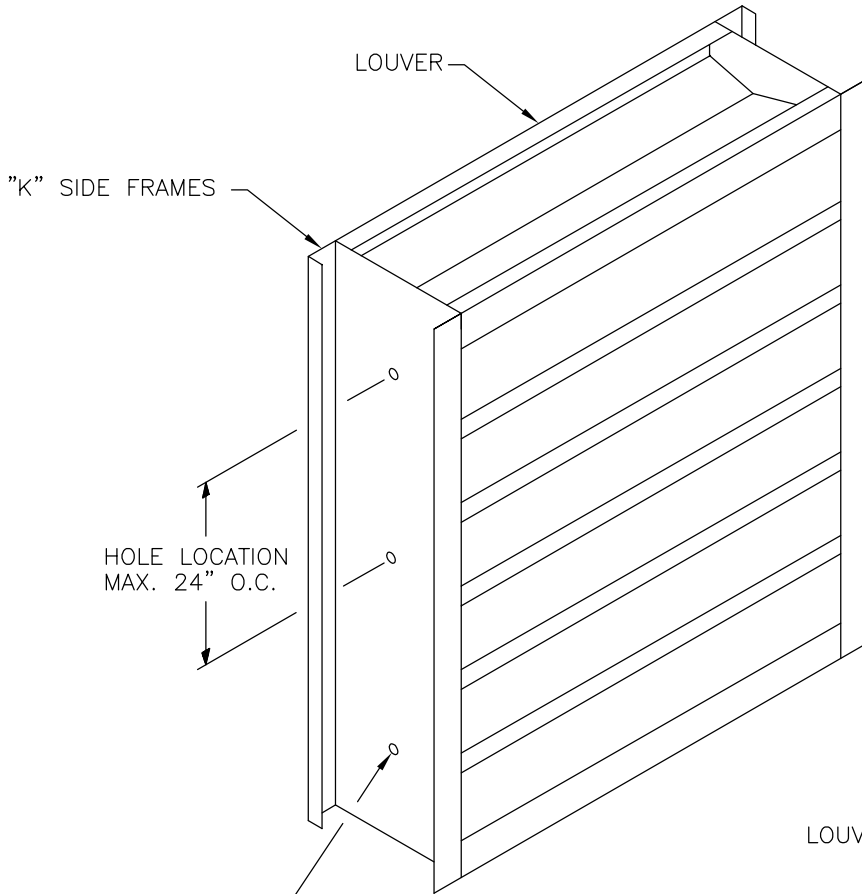


VIEW SHOWN IS FROM
INTERIOR SIDE OF LOUVER



HOLE LOCATION
MAX. 24" O.C.

HOLE LOCATION
MAX. 24" O.C.

LOUVER SUPPLIED WITH 5/16" DIA.
HOLES THROUGH SIDE FRAMES. ANCHORS
NOT BY AIROLITE.

NOT RECOMMENDED FOR USE WITH
ADJUSTABLE, COMBINATION, SIGHTPROOF,
STORMCLASS OR MIAMI-DADE APPROVED
PRODUCTS

DESIGNER NOTE:
THIS DETAIL IS A CONCEPTUAL DESIGN ILLUSTRATION
ONLY. FASTENER SIZE AND SPACING MUST BE DESIGNED
TO SPECIFIC APPLICATION REQUIREMENTS. NO WARRANTY
OR GUARANTEE IS EXPRESSED OR IMPLIED.



DRAWN BY: JMS

SCALE: NONE

DATE: 7/99

**TYPICAL LOUVER DETAIL:
METHOD OF INSTALLATION-
HOLES IN JAMB FRAMES**

REV. NO: 1

FORM NO: 623020