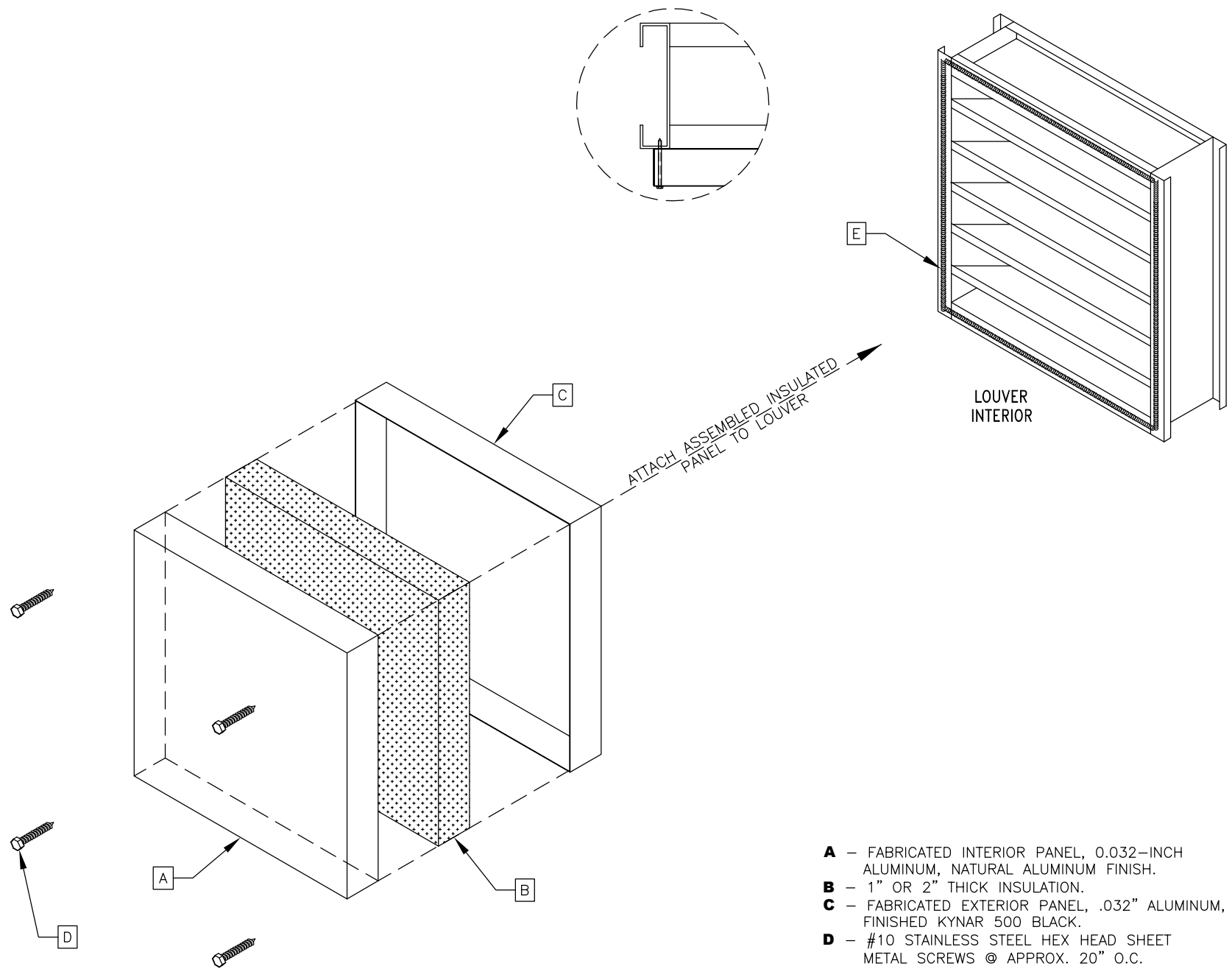


**AIROLITE**  
The look that works.™

DRAWN BY: BDM  
SCALE: NONE  
DATE: 10/06

REV. NO: 3  
FORM NO: 623039  
**TYPICAL LOUVER DETAIL:  
INSULATED BLANK-OFF PANEL**



- A** - FABRICATED INTERIOR PANEL, 0.032-INCH ALUMINUM, NATURAL ALUMINUM FINISH.
- B** - 1" OR 2" THICK INSULATION.
- C** - FABRICATED EXTERIOR PANEL, .032" ALUMINUM, FINISHED KYNAR 500 BLACK.
- D** - #10 STAINLESS STEEL HEX HEAD SHEET METAL SCREWS @ APPROX. 20" O.C.
- E** - IF REQUIRED, COMPRESSIBLE GASKET OR SILICONE SEALANT AROUND PERIMETER OF INSULATED PANEL.