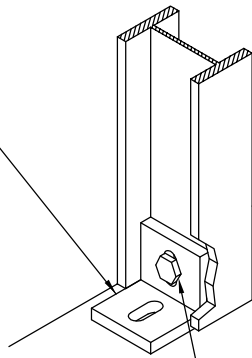


TYPICAL I BEAM CONNECTION @ HEAD & SILL

1 1/2" X 1 1/2" X 1/4" X 1 1/2" LONG ALUM.
CLIP ANGLES AT HEAD AND SILL OF I BEAM.

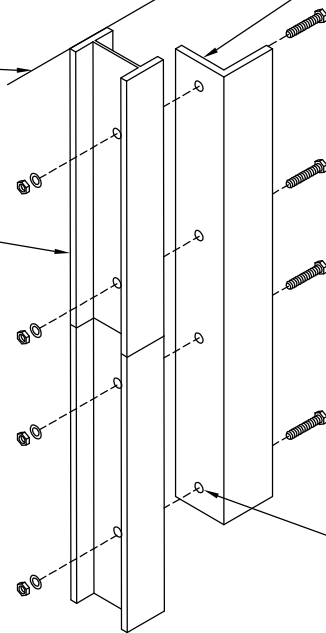


LINE OF LOUVER

I BEAM

TYPICAL I BEAM SPLICE
WHEN REQUIRED

1 1/2" X 1 1/2" X 3/16" X 12"
LONG SPLICE ANGLE LOCATED AT
INVISIBLE HORIZONTAL JOINT.

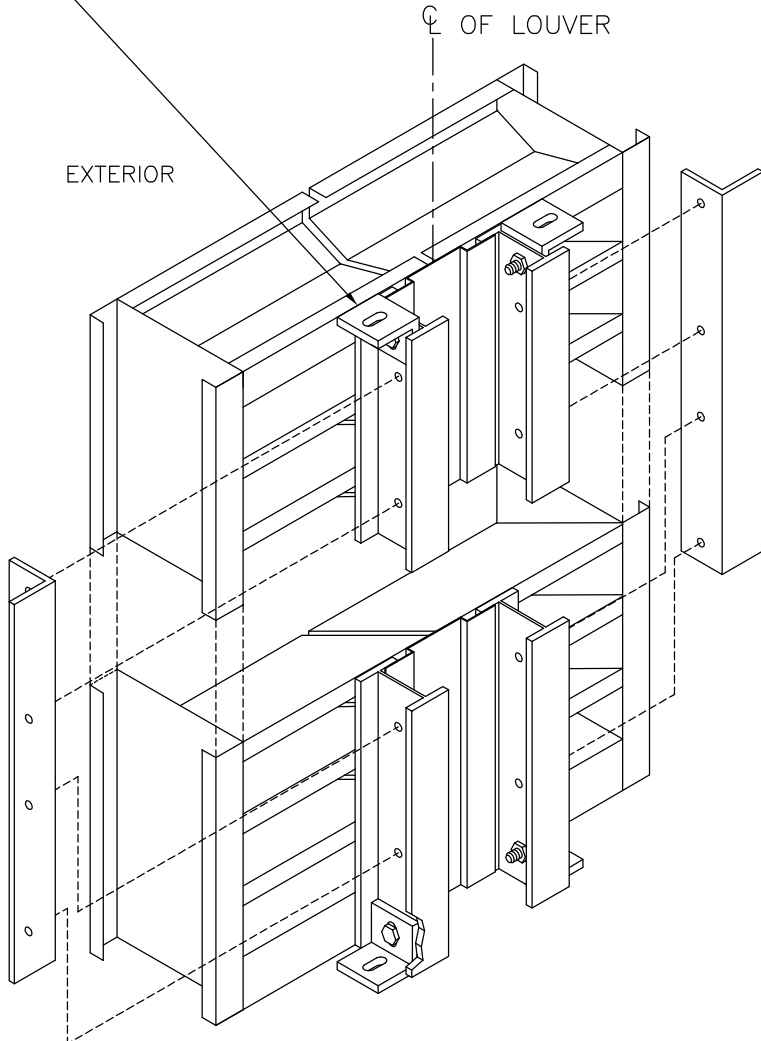


CLIP ANGLE SUPPLIED WITH 5/16" X 3/4" LG. SLOTTED HOLES
AND 1/4-20 X 3/4" LONG HEX. HD. S.S. MACH. SCREWS, NUTS &
WASHERS FOR ANGLE ATTACHMENT TO I BEAM. I BEAM DRILLED IN FIELD
NOT BY AIROLITE USING HOLES IN ANGLE AS TEMPLATE. ANCHORS
FOR ANGLE ATTACHMENT TO WALL CONDITIONS NOT BY AIROLITE.

C OF LOUVER

EXTERIOR

SPLICE ANGLE SUPPLIED WITH 5/16" DIA.
HOLES AND 1/4-20 X 3/4" LONG HEX HEAD
S.S. MACH. SCREWS, NUTS & WASHERS FOR ANGLE
ATTACHMENT TO I BEAM. I BEAM DRILLED
IN FIELD NOT BY AIROLITE USING HOLES IN
ANGLE AS TEMPLATE.



DESIGNER NOTE:

THIS DETAIL IS A CONCEPTUAL DESIGN ILLUSTRATION
ONLY. IF REQUIRED, ADDITIONAL SUPPORTS MAY BE
REQUIRED TO COMPLY WITH SPECIFIC APPLICATION
REQUIREMENTS. NO WARRANTY OR GUARANTEE IS
EXPRESSED OR IMPLIED.



DRAWN BY: RH

SCALE: NONE

DATE: 02/01

**TYPICAL STATIONARY
LOUVER DETAIL:
INVISIBLE VERTICAL MULLION**

REV. NO: 0

FORM NO: 623051