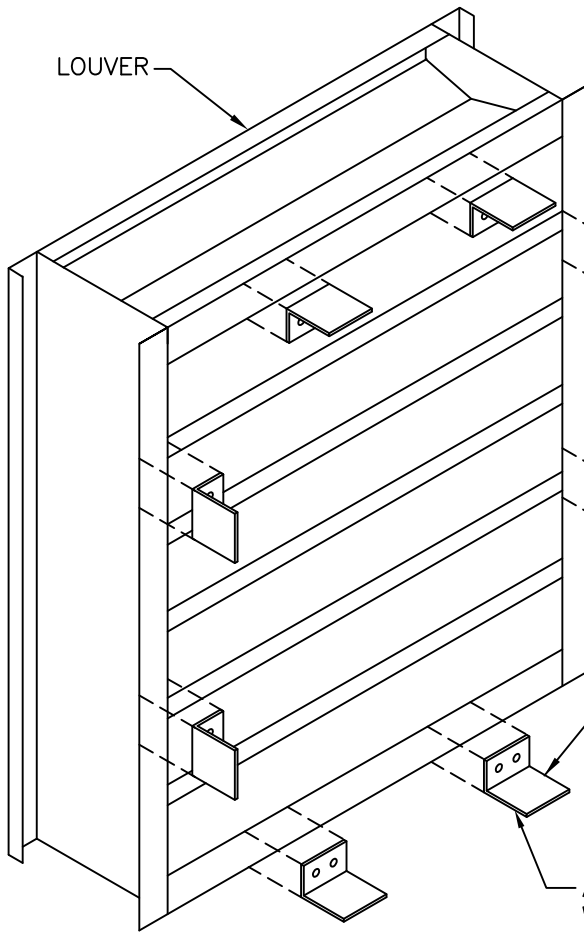


ATTACHED IN FIELD

JAMB DETAIL  
PLAN VIEW



LOUVER

ANGLES SUPPLIED WITH (2) 7/32" DIA. HOLES AND (2) #10 S.S. S.M. SCREWS FOR ATTACHMENT TO LOUVER. LOUVER DRILLED IN FIELD NOT BY AIROLITE USING HOLES IN ANGLES AS TEMPLATE.

HOLES FOR ATTACHMENT TO WALL CONDITIONS DRILLED IN FIELD NOT BY AIROLITE. ANCHORS NOT BY AIROLITE.

1" x 1 1/2" x 1 1/2" LONG, MAX. 18" O.C. ALL AROUND, SHIPPED LOOSE. LOCATE FIRST CLIP A MAXIMUM OF 6" FROM CORNER TYP.

APPLY A BARRIER (NBA) ON CLIP ANGLE SURFACE WHICH WILL BE IN CONTACT WITH CONCRETE, MASONRY OR DISSIMILAR METALS.

VIEW SHOWN IS FROM INTERIOR SIDE OF LOUVER

MATERIAL NOTE:  
ALUM. LOUVERS - 0.081"(2.06mm) ALUM.  
GALV. LOUVERS - 0.063"(1.6mm) GALV. STEEL

NBA = NOT BY AIROLITE



DRAWN BY: RG

SCALE: NONE

FORM NO: 623023

CLIP ANGLE ATTACHMENT

SH 1 OF 1

3/10