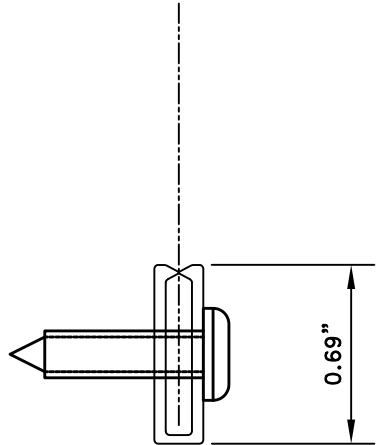
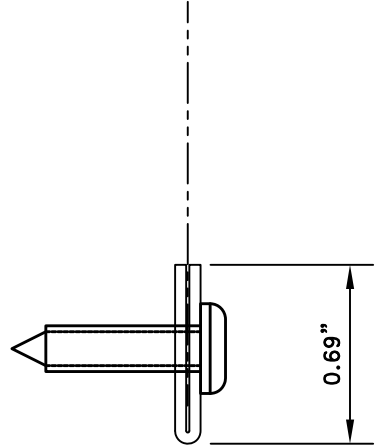


DETAIL "B"
SCREEN FRAME



0.044" (1.29mm) EXTRUDED ALUMINUM



0.062" (1.14mm) GALVANIZED STEEL OR OTHER FABRICATED METAL.

ATTACHMENT

ALUMINUM SCREEN FRAMES ARE SECURED WITH 300 SERIES STAINLESS STEEL SHEET METAL SCREWS; AND, GALVANIZED STEEL SCREEN FRAMES ARE SECURED WITH PLATED STEEL SHEET METAL SCREWS. ALL FASTENERS ARE SPACED APPROXIMATELY 16" ON CENTER.

SCREEN MESH

MAT'L	BIRD SCREEN TYPE			DIAMETER/THICKNESS			FREE AREA %
	ENGLISH	METRIC (mm)		ENG.	METRIC (mm)		
ALUM.	3/4" x .050"	19.05 x 1.27	FLATTENED DIAMOND MESH	.050"	1.27	THICK.	61
ALUM.	1/4"	6.3	SQUARE MESH WIRE	.048"	1.2	DIAM.	71
ALUM.	1/2"	12.7	SQUARE MESH WIRE	.063"	1.6	DIAM.	80
GALV.	1/2"	12.7	SQUARE MESH WIRE	.041"	1.0	DIAM.	71
STN STL	1/2"	12.7	SQUARE MESH WIRE	.047"	1.19	DIAM.	70

FINISH

BIRD SCREEN: UNLESS OTHERWISE SPECIFIED, ALL BIRD SCREEN AND FRAMES ARE FURNISHED IN NATURAL MILL FINISH. BIRD MESHES AND FRAMES CAN BE SUPPLIED IN ANY AIROLITE STANDARD FINISHES AND COLORS.



DRAWN BY: RH
SCALE: NONE
DATE: 10/06

FOLDED SCREEN FRAME
REV. NO: 2
FORM NO: 623067