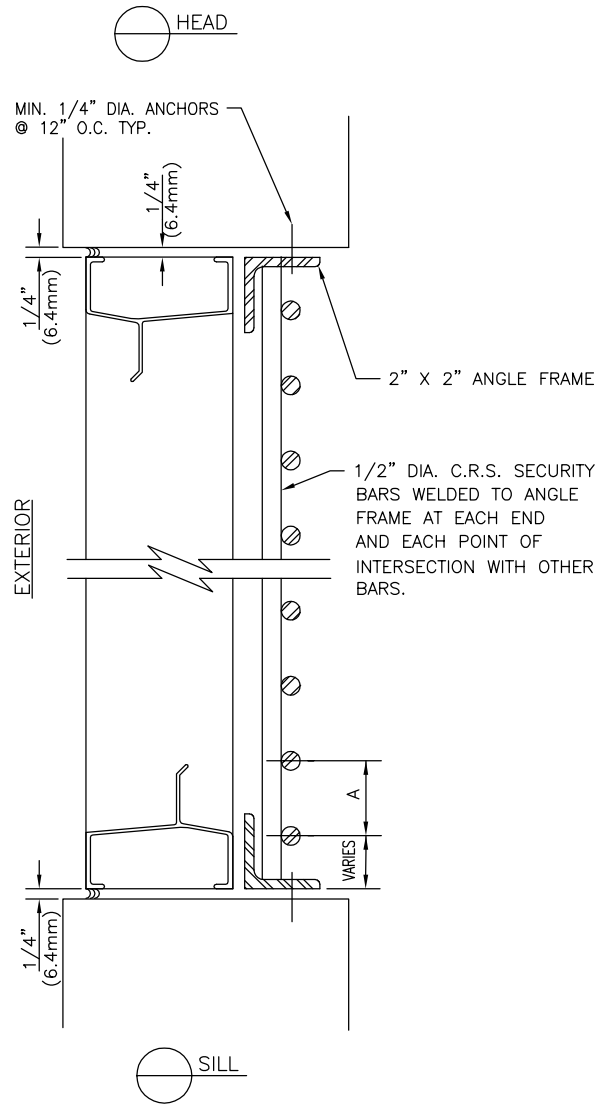


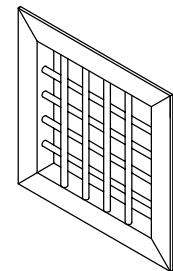
SECTION VIEW



SECTION VIEW

NOTE:
SECURITY GRILLES CAN BE LOCATED
ON INTERIOR OR EXTERIOR OF LOUVER

SCHEDULE						
ITEM NO.	QUANTITY	SECURITY GRILLE SIZE	FRAME CONFIGURATION	A	FINISH	INT OR EXT



ANGLE FRAME



DRAWN BY: RH

SCALE: NONE

DATE: 10/06

**TYPICAL LOUVER DETAIL:
SECURITY GRILLE**

REV. NO: 1

FORM NO: 623054