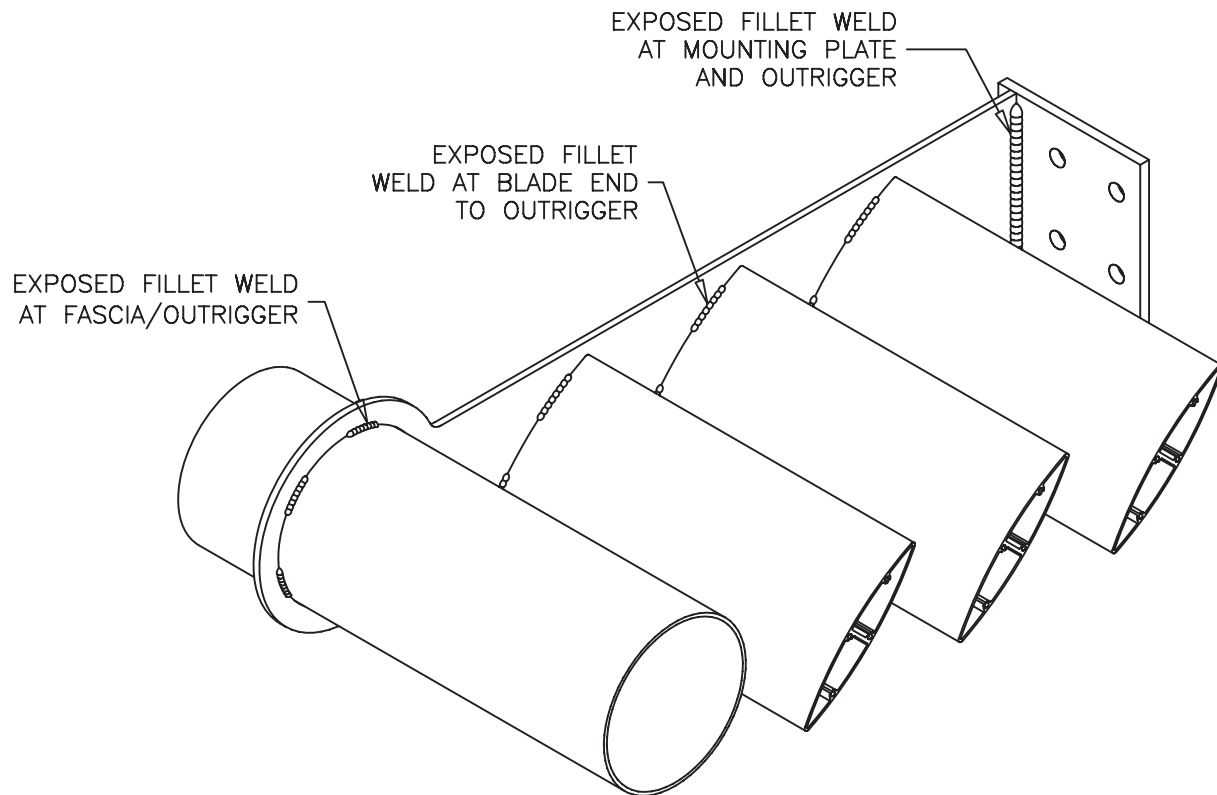


## All-Welded Construction



## Mechanically Fastened Construction

