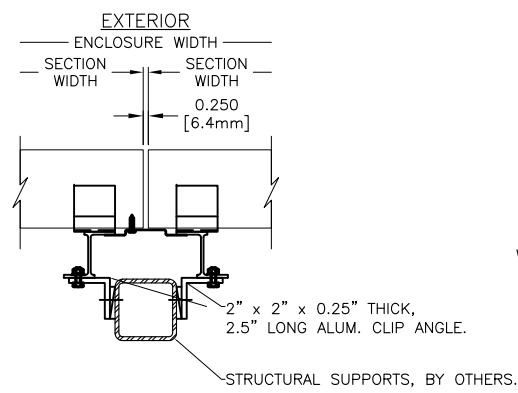
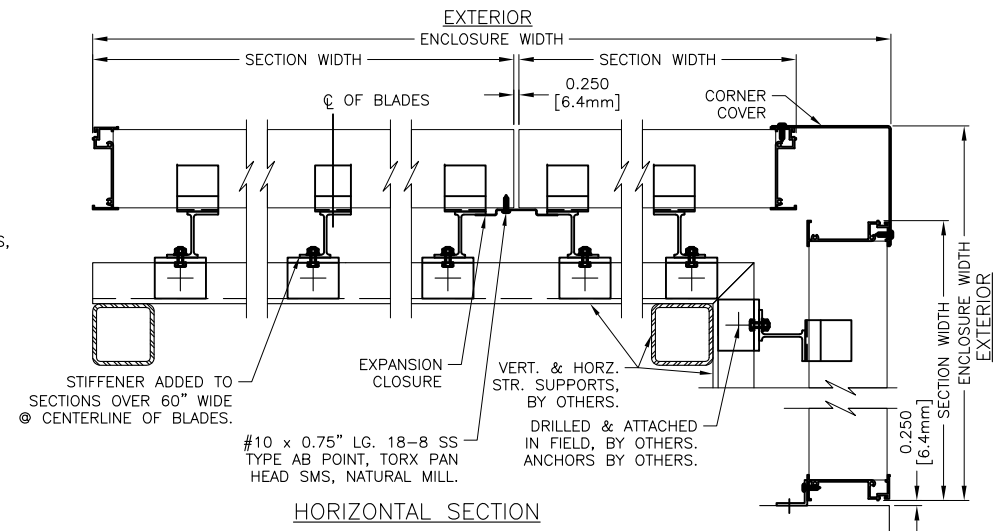
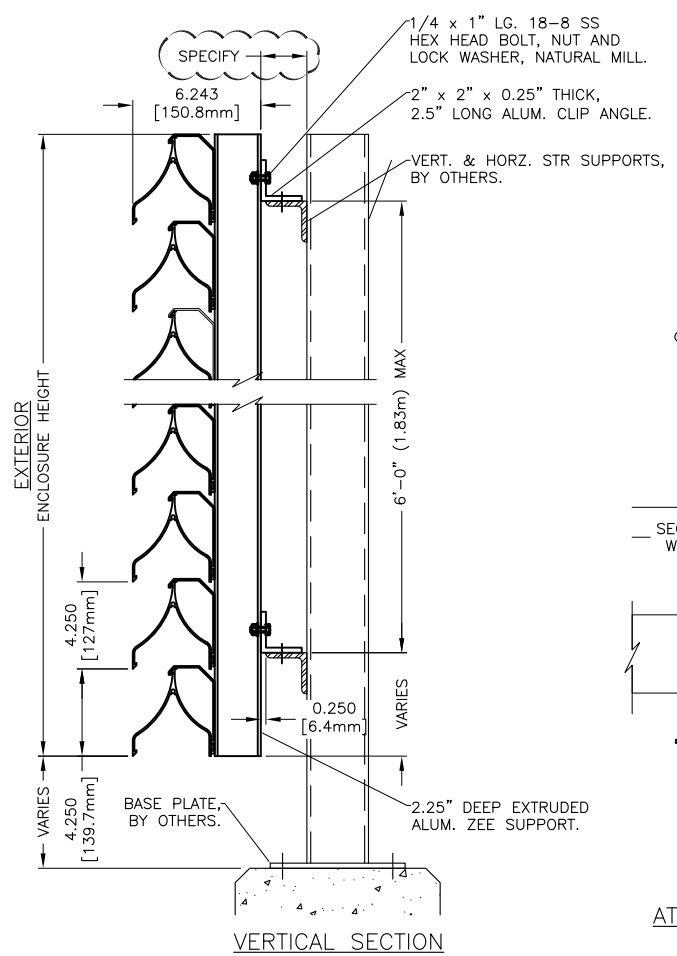
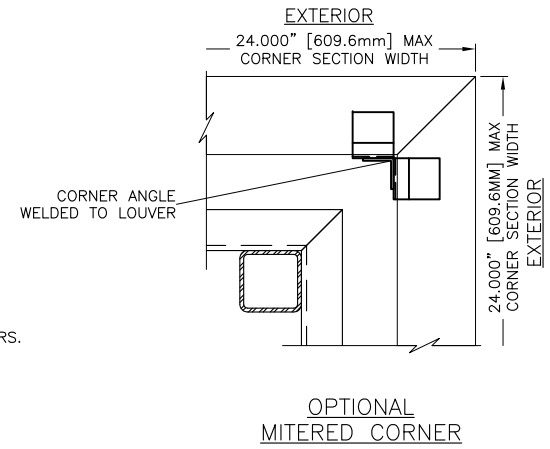


APPROVER NOTE:
APPROVER TO INDICATE SIZES & SPACING
OF ALL VERTICAL & HORIZONTAL SUPPORTS.



VERTICAL MULLION MUST BE AT VERTICAL SUPPORT WHEN NO HORIZONTAL STEEL IS USED



 <p>AIROLITE The look that works.</p>	MODEL: SCB601
	SHEET: 1 OF 1