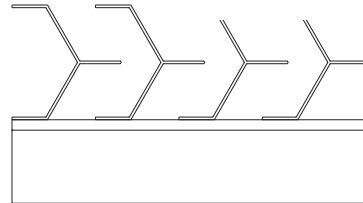


ARCHITECTURAL LOUVER SCREEN

Louver Screen	SV5833
Material	Extruded Aluminum (Alloy 6063-T5)
Stationary Blade	0.063 in. (1.60 mm)
Horizontal Support	2 x 2 x 1/4 in. Angle
Louver Screen Depth	2 5/8 in. (66.68 mm)
Free Area – 4 ft. x 4 ft. Unit	6.97 sq. ft. (0.65 sq m)
Percent Free Area	44%



RECOMMENDED SPECIFICATION

Airolite Louver Screen Type SV5833 is a 2-5/8-inch deep, extruded aluminum, vertical blade louver screen. The sightproof blade configuration is ideal to use to conceal mechanical equipment at the penthouse level or at grade when security and resistance to intrusion are primary concerns. The complimentary blade profiles are 100% sightproof when viewed from any orientation and pose a formidable barrier to intruding devices such as sticks and wires. All materials are available in Airolite's broad array of baked enamel, fluoropolymer, and clear or color anodize coatings for durability and compatibility with adjacent materials. Please contact your local Airolite representative or the factory for assistance with the layout and design of support systems when required.

GENERAL

Where indicated on plan drawings or described in schedules, furnish and install Louver Screen Type SV5833 as designed and manufactured by The Airolite Company LLC, Schofield, Wisconsin. Louver screens shall be furnished in the configuration represented on the plan drawings and shall include installation hardware and finishes as specified and required for a complete installation.

SUBMITTALS

Manufacturer shall submit shop drawings incorporating key plans, elevations, sections and details showing profiles, angles and spacing of louver screen blades and frames; unit dimensions related to wall openings and construction; and, anchorage details and locations. Submit theoretical calculations prepared by a professional engineer specializing in the application of welding technology demonstrating that each fillet weld joining blade and frame members will withstand a minimum of 526 pounds of force in shear. Provide samples of manufacturer's finish and color charts showing the full range of colors available.

PRODUCTS

Louver screens shall be vertical blade, sightproof, Louver Screen Type SV5833 with concealed vertical mullions. Louver screens shall be 2-5/8-inches (66.68 mm) deep and assembled entirely by extruded aluminum components. Blades shall be 0.063-inch (1.60 mm) thick extruded aluminum, alloy 6063-T5. Blades shall be vertical V-type and spaced 2 1/2-inches (209 mm) on center. Vertical blades shall be bolted to horizontal support members located to withstand the specified wind design load. Standard construction of louver screen is shipment in pre-assembled panels. If knockdown construction is needed, contact factory for availability and pricing.

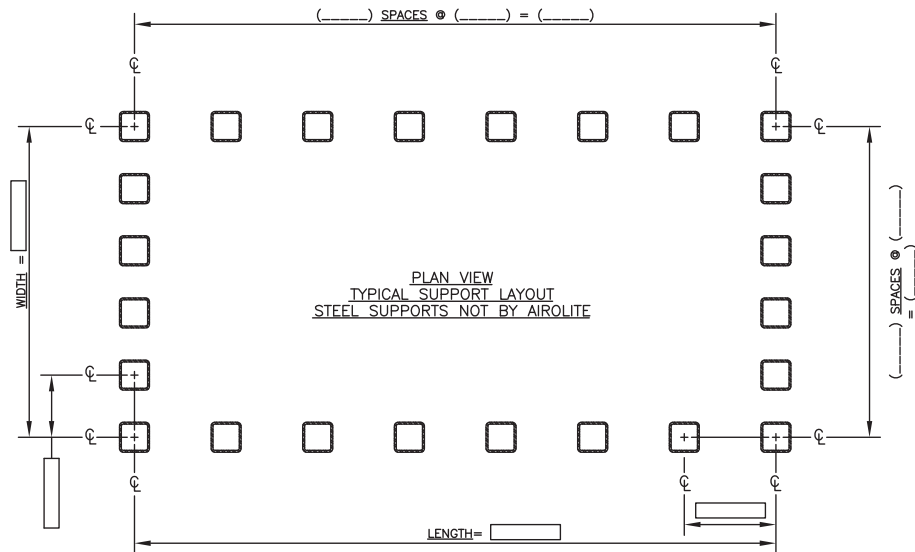
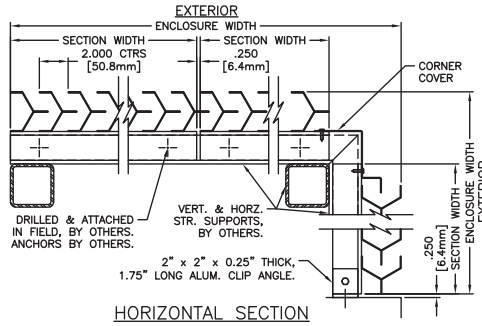
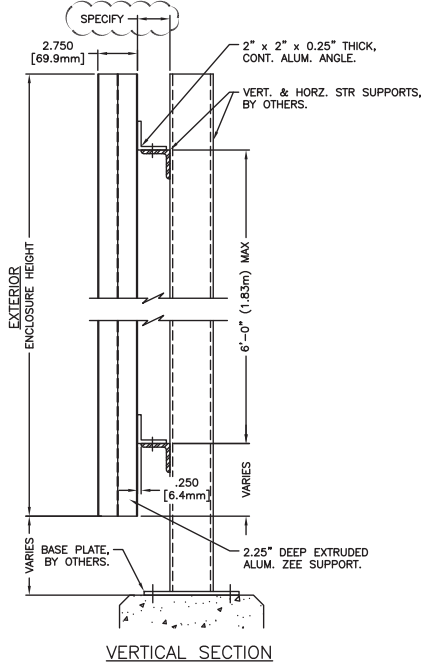
STRUCTURAL DESIGN CRITERIA

Manufacturer shall design and furnished all supports required to withstand a wind force of not less than 25 pounds per square foot for panel sizes no larger than 72-inches. Louver screens larger than 72-inches (183 cm) wide x 144-inches (366 cm) high or 144-inches (366 cm) wide x 72-inches (183 cm) high will be fabricated and installed in multiples sections. Louver screen blades, horizontal members and anchorages shall be demonstrated to withstand the specified wind design load.

See page 2 for complete finish options

LOUVER SCREEN TYPE SV5833 DETAILS & FINISH OPTIONS

APPROVER NOTE:
APPROVER TO INDICATE SIZES & SPACING
OF ALL VERTICAL & HORIZONTAL SUPPORTS.



FINISHES (Select one of the following)

ACRYLIC ENAMEL: Louvers shall be cleaned, pretreated and FINISHED-AFTER-ASSEMBLY with an oven-cured thermosetting acrylic enamel finish that meets or exceeds the performance requirements of AAMA 2603, "Voluntary Specification Performance Requirements and Test Procedures for Pigmented Organic Coatings."

2-COAT FLUOROPOLYMER: Louvers shall be cleaned, pretreated and FINISHED-AFTER-ASSEMBLY with an inhibitive primer and oven-cured Kynar 500® / Hylar 5000® resin coating with minimum 1.2 mils dry-film coating thickness that meets or exceeds the performance requirements of AAMA 2605, "Voluntary Specification, Performance Requirements and Test Procedures for Superior Performance Organic Coatings on Aluminum Extrusions and Panels."

3-COAT FLUOROPOLYMER: Louvers shall be cleaned, pretreated and FINISHED-AFTER-ASSEMBLY with an inhibitive primer and oven-cured Kynar 500® / Hylar 5000® resin coating with minimum 2.0 mils dry-film coating thickness that meets or exceeds the performance requirements of AAMA 2605, "Voluntary Specification, Performance Requirements and Test Procedures for Superior Performance Organic Coatings on Aluminum Extrusions and Panels."

CLEAR ANODIZE: Louvers shall be a Class I clear anodized coating (AA-M10C22A41) that complies with the performance requirements of AAMA Specification 611-98, "Voluntary Specification for Anodized Architectural Aluminum."

COLOR ANODIZE: Louvers shall be a Class I electrolytically color anodized coating (AA-M10C22A42/44) that complies with the performance requirements of AAMA Specification 611-98, "Voluntary Specification for Anodized Architectural Aluminum." Color shall be (select one): Champagne, Light Bronze, Medium Bronze, Dark Bronze, Extra Dark Bronze or Black Anodize.



P.O. Box 410, 525 Western Road, Schofield, WI 54476-0410 USA
715.841.8757 • fax 715.841.8773 • www.airolite.com

Submission SV5833, October 2009
Copyright ©2009 The Airlite Company, LLC

The Airlite Company, LLC reserves the right
to make product changes.

THE ALL-WELDED ADVANTAGE