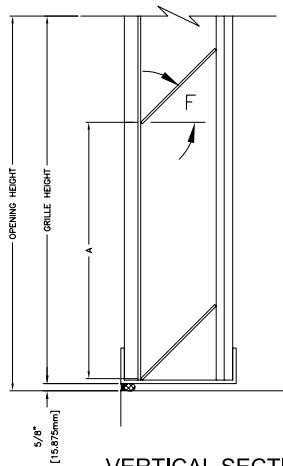
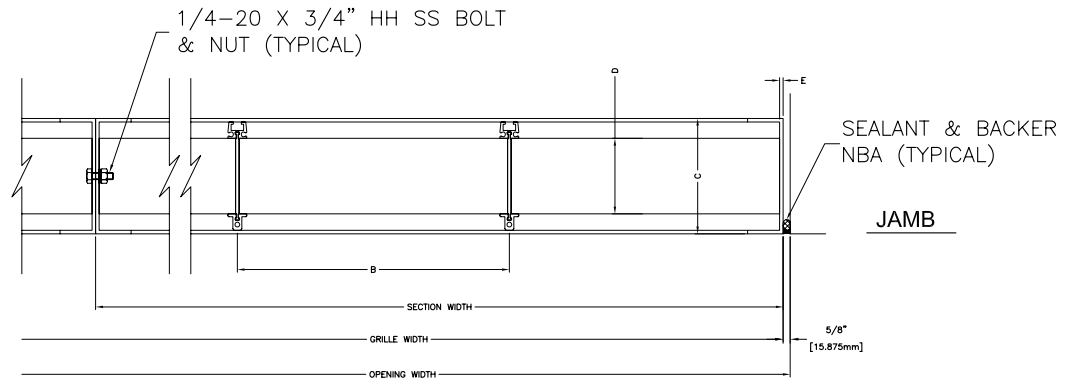


⊕ EXTERIOR ELEVATION



VERTICAL SECTION



MULLION

NO.	REVISION	BY	DATE

This drawing and the design represented are the confidential and proprietary property of THE AIROLITE COMPANY and may not be disclosed, loaned, copied or used for any purpose other than design review and approval without the expressed written consent of THE AIROLITE COMPANY.

**AIROLITE**<sup>®</sup>  
 Architectural Louvers, Grilles & Sun Controls  
 Marietta, Ohio USA

JOB: TETRA  
 AIROLITE NO: \_\_\_\_\_  
 BY: \_\_\_\_\_ DATE: \_\_\_\_\_  
 SCALE: \_\_\_\_\_ SHEET: 1