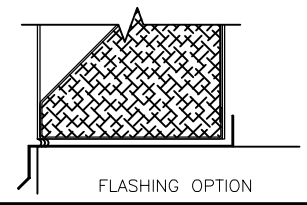
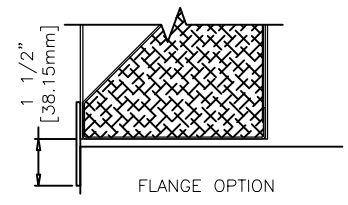
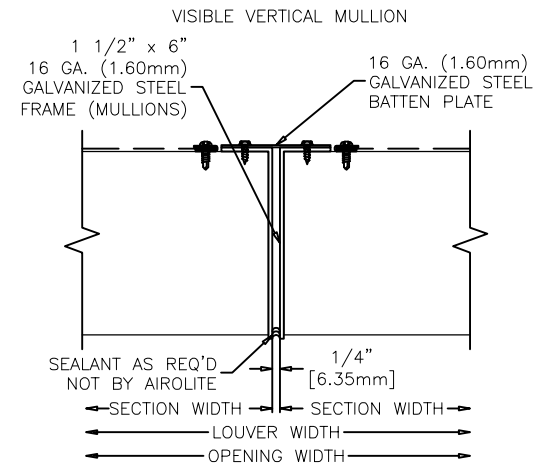
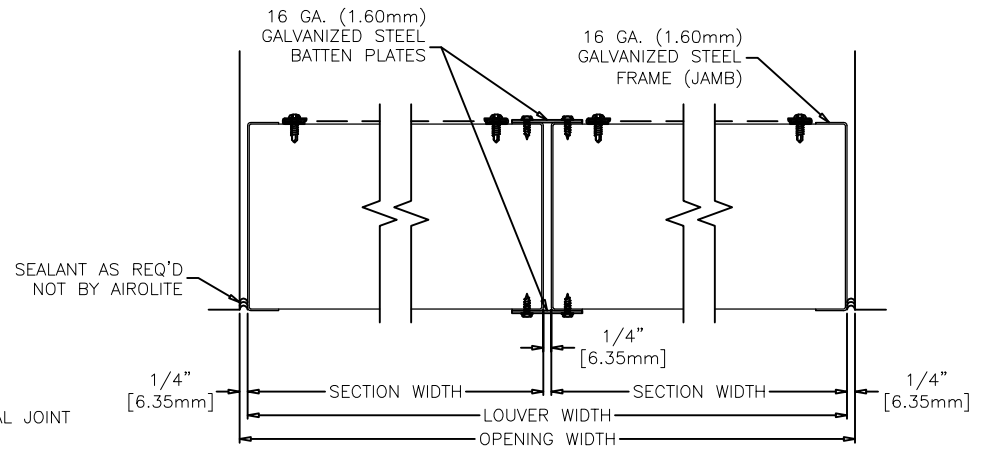
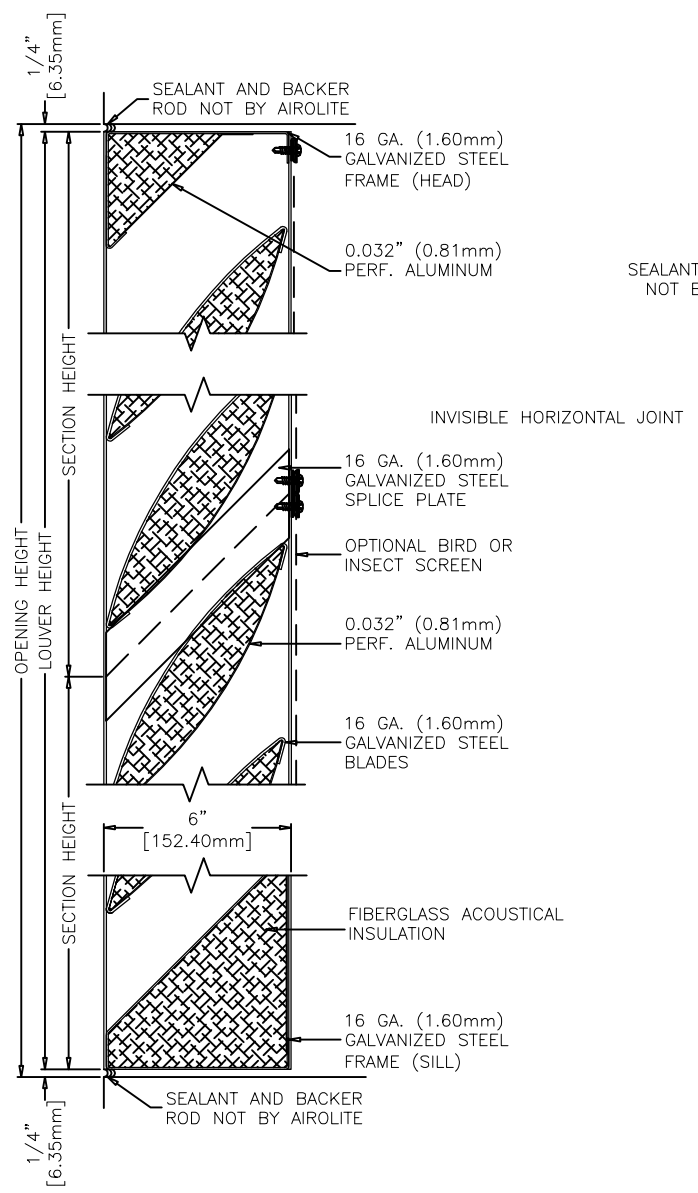


<p><b>AIROLITE</b> The look that works.</p>	MODEL: T9206
	SHEET: 1 OF 2




**AIROLITE**  
 The look that works.<sup>SM</sup>

MODEL: 9206
SHEET: 2 OF 2