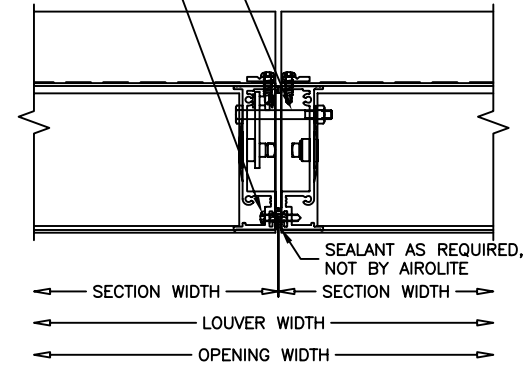


1/4-20 x 2.5 HWH BOLT & NUT
FIELD DRILL & INSTALL 1 @ HEAD.

#10 x 1 HWH SS TEK
ALTERNATE DIRECTION 16" O.C.
FIELD DRILLED AND INSTALLED



This drawing and the design represented are the confidential and proprietary property of The Airlite Company, LLC and may not be disclosed, loaned, copied or used for any purpose other than design review and approval without the expressed written consent of The Airlite Company, LLC.

AIROLITE[®]

The look that works.[™]

Marietta, Ohio USA

MODEL: T6784E SHEET: 1