

This drawing and the design represented are the confidential and proprietary property of THE AIROLITE COMPANY and may not be disclosed, loaned, copied or used for any purpose other than design review and approval without the expressed written consent of THE AIROLITE COMPANY.

SCALE: NTS

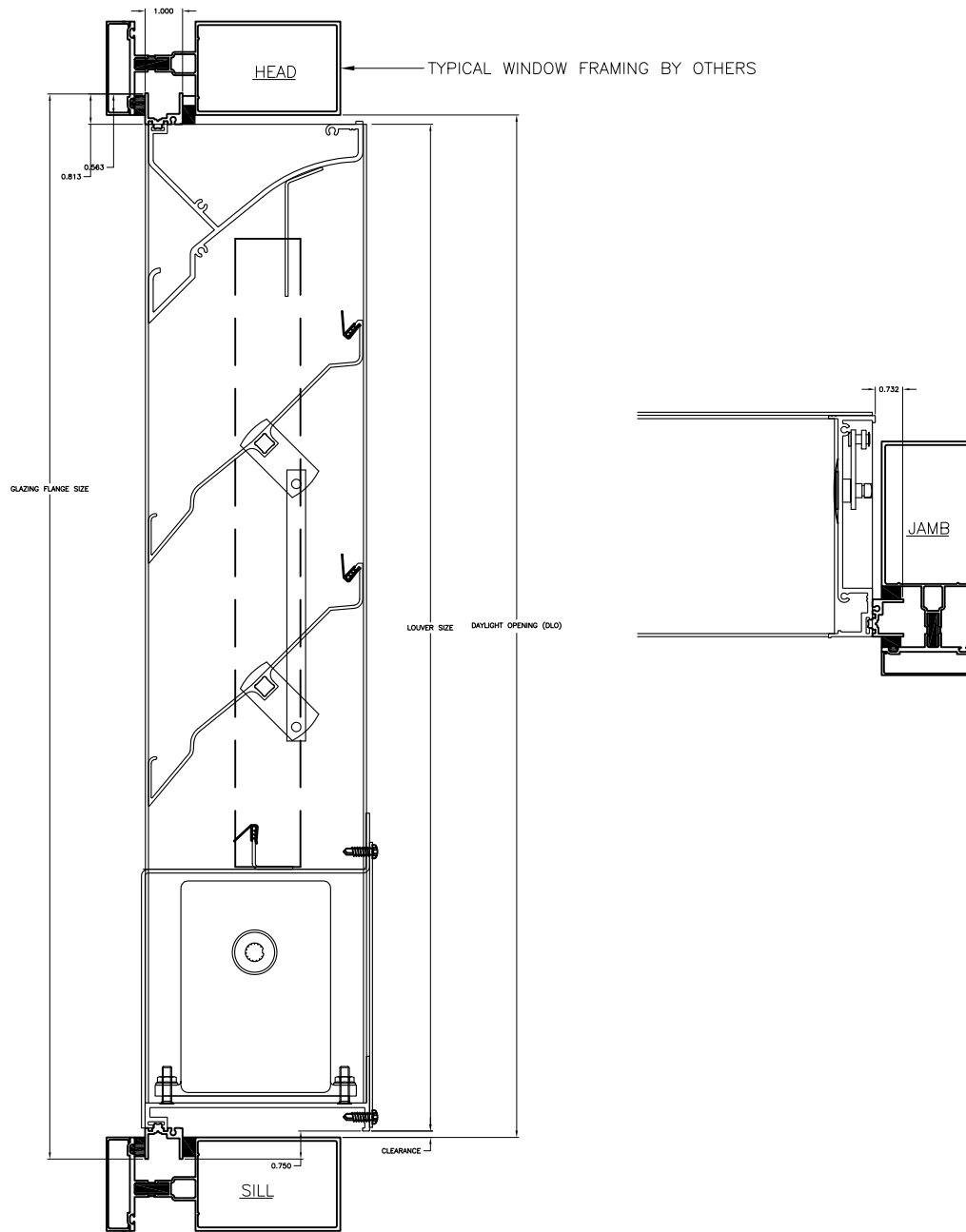
DATE: 09/17/09

FILE: T6786E

REV. NO: ---

LOUVER TYPE

T6786E



This drawing and the design represented are the confidential and proprietary property of THE AIROLITE COMPANY and may not be disclosed, loaned, copied or used for any purpose other than design review and approval without the expressed written consent of THE AIROLITE COMPANY.

SCALE: NTS

DATE: 09/17/09

REV. NO: ---

FILE: T6786E

LOUVER TYPE

T6786E