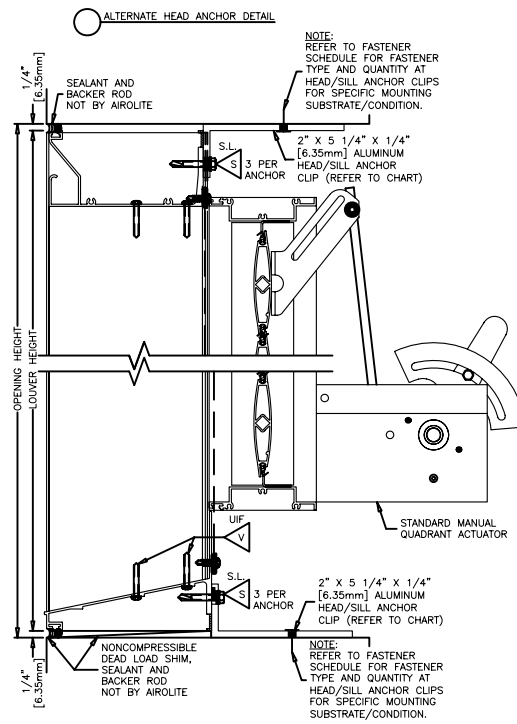
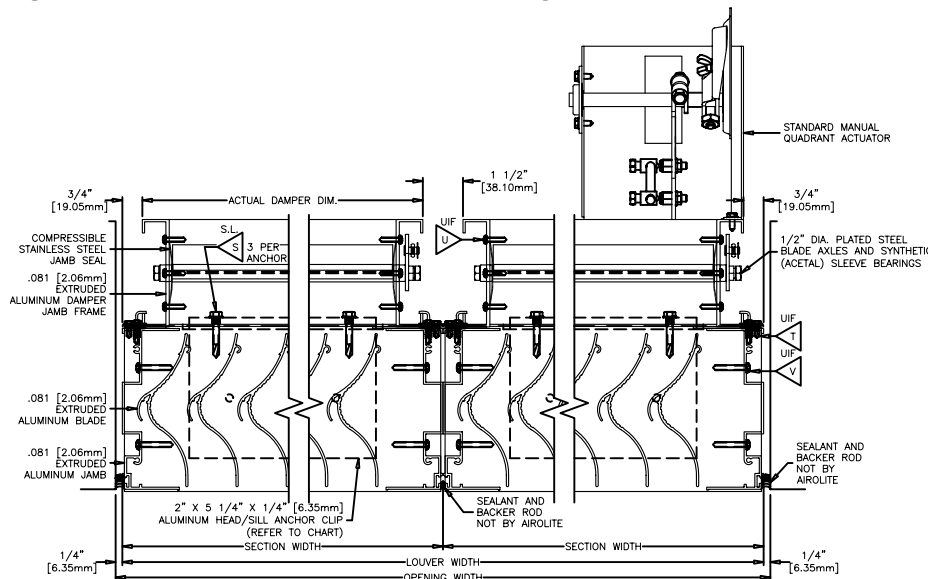


**B SILL DETAIL**



**ALTERNATE SILL ANCHOR DETAIL**

S.L. S	1/4"-20 X 1 1/2" HILTI DRILL-FLEX 416581	U.I.F. T	#10 X 1/2" HH ZP TEK 415555	U.I.F. U	#8 X 3/4" TPH SS SMS 416109	U.I.F. V	#10 X 1 1/4" TPH SS SMS 416196
-----------	--	-------------	-----------------------------------	-------------	-----------------------------------	-------------	--------------------------------------



**C JAMB DETAIL**

**D MULLION DETAIL**

This drawing and the design represented are the confidential and proprietary property of The Airlite Company, LLC and may not be disclosed, loaned, copied or used for any purpose other than design review and approval without the expressed written consent of The Airlite Company, LLC.

**AIROLITE**  
The look that works.<sup>SM</sup>  
Marietta, Ohio USA

MODEL: SCV602MD/VCD-40 SHEET: 1