

This drawing and the design represented are the confidential and proprietary property of THE AIROLITE COMPANY and may not be disclosed, loaned, copied or used for any purpose other than design review and approval without the expressed written consent of THE AIROLITE COMPANY.

SCALE: NTS

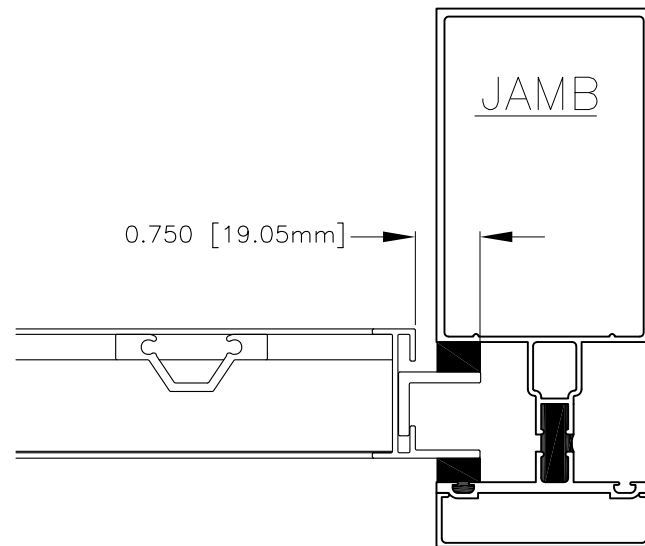
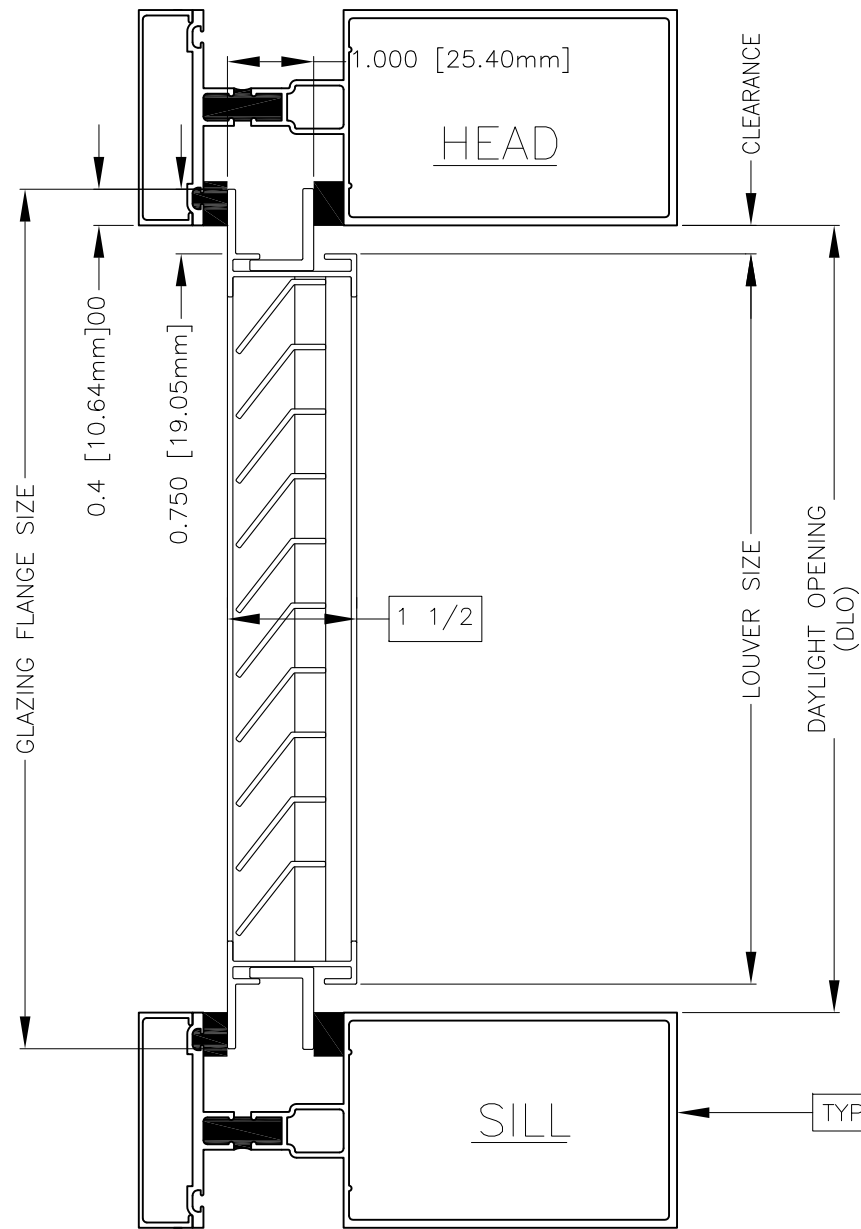
DATE: 09/17/09

REV. NO: ---

FILE: AC420 & CB420

LOUVER TYPE

AC420 & CB420



TYPICAL WINDOW FRAMING BY OTHERS



This drawing and the design represented are the confidential and proprietary property of THE AIROLITE COMPANY and may not be disclosed, loaned, copied or used for any purpose other than design review and approval without the expressed written consent of THE AIROLITE COMPANY.

| | | |
|--------|---------------|--------------|
| SCALE: | NTS | |
| DATE: | 09/17/09 | REV. NO: --- |
| FILE: | AC420 & CB420 | |

LOUVER TYPE
AC420 & CB420