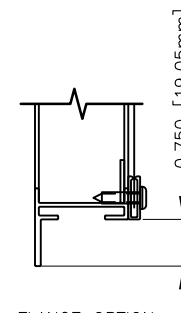


FLASHING OPTION



FLANGE OPTION



This drawing and the design represented are the confidential and proprietary property of THE AIROLITE COMPANY and may not be disclosed, loaned, copied or used for any purpose other than design review and approval without the expressed written consent of THE AIROLITE COMPANY.

SCALE: NTS

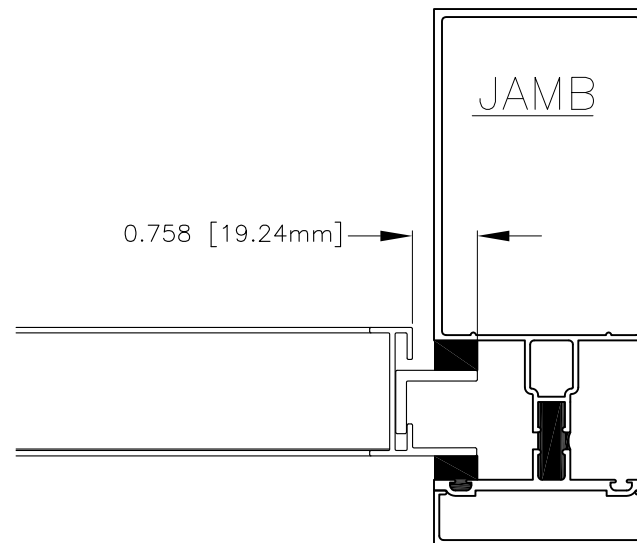
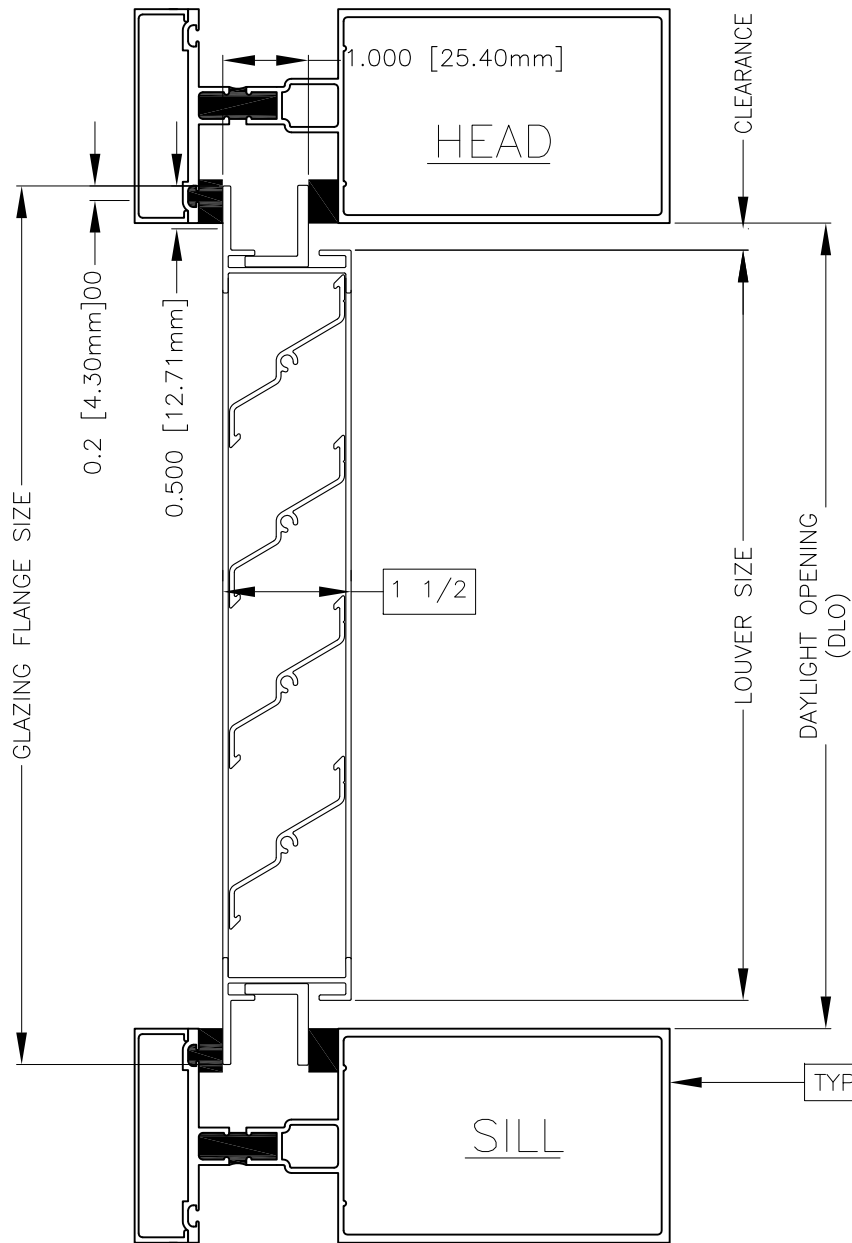
DATE: 09/17/09

REV. NO: ---

FILE: T63815

LOUVER TYPE

**T63815**



TYPICAL WINDOW FRAMING BY OTHERS



This drawing and the design represented are the confidential and proprietary property of THE AIROLITE COMPANY and may not be disclosed, loaned, copied or used for any purpose other than design review and approval without the expressed written consent of THE AIROLITE COMPANY.

SCALE: NTS

DATE: 09/17/09

REV. NO: ---

FILE: T63815

LOUVER TYPE

**T63815**