

This drawing and the design represented are the confidential and proprietary property of THE AIROLITE COMPANY and may not be disclosed, loaned, copied or used for any purpose other than design review and approval without the expressed written consent of THE AIROLITE COMPANY.

SCALE: NTS

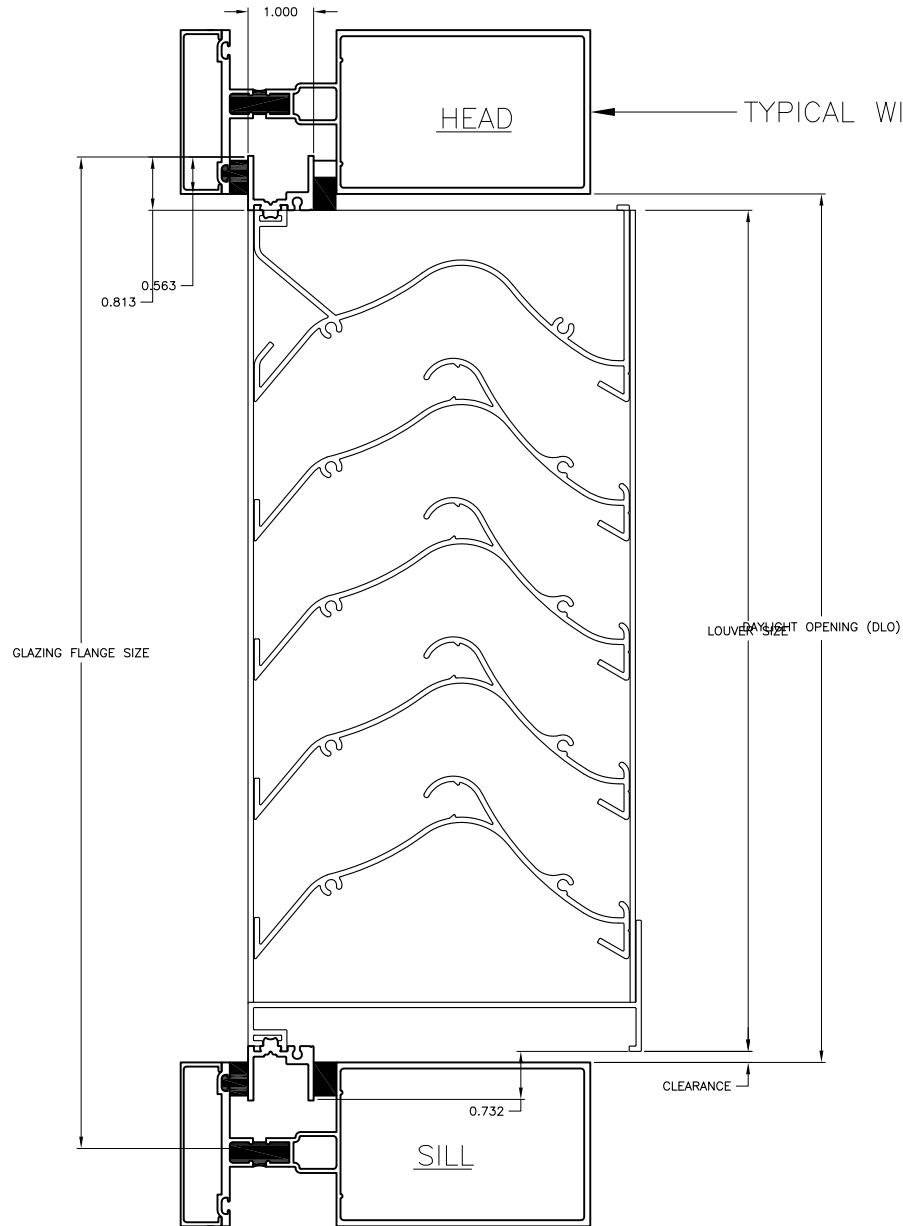
DATE: 4/1/10

REV. NO: ---

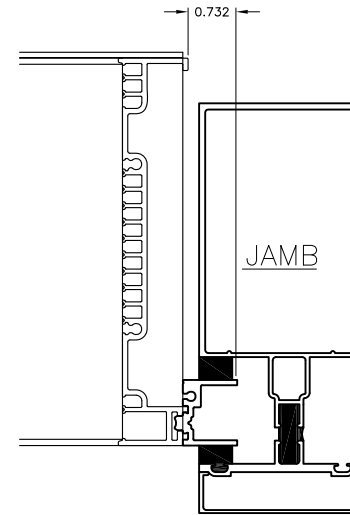
FILE: SCH601

LOUVER TYPE

SCH601



TYPICAL WINDOW FRAMING BY OTHERS



NOTE: LOUVER TYPE SCH601
 WAS TESTED AND RATED UNDER
 AMCA STANDARDS 500 AND 511.
 SILL FLASHING WAS USED
 DURING THE TESTING. THIS
 DESIGN VARIES FROM THE
 TESTED LOUVER DUE TO THE
 FACT THAT SILL FLASHING IS NOT
 AND CAN NOT BE USED.



This drawing and the design represented are the confidential and proprietary property of THE AIROLITE COMPANY and may not be disclosed, loaned, copied or used for any purpose other than design review and approval without the expressed written consent of THE AIROLITE COMPANY.

SCALE: NTS

DATE: 4/1/10

REV. NO: ---

FILE: SCH601

LOUVER TYPE

SCH601