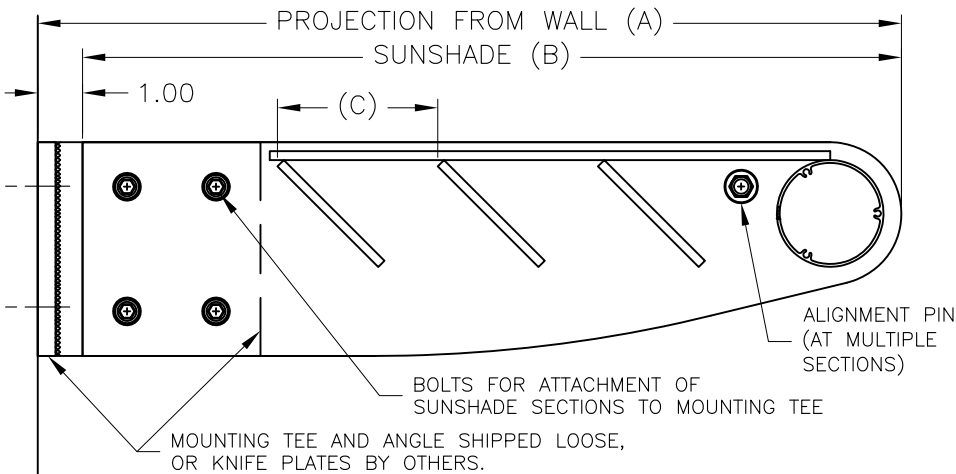
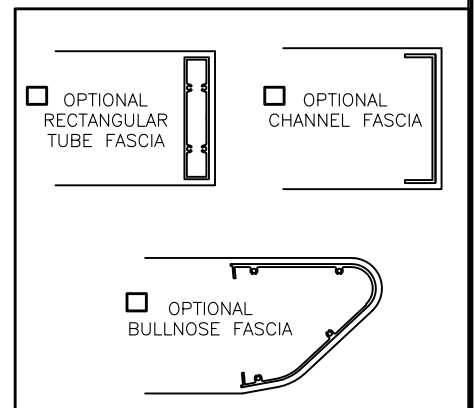
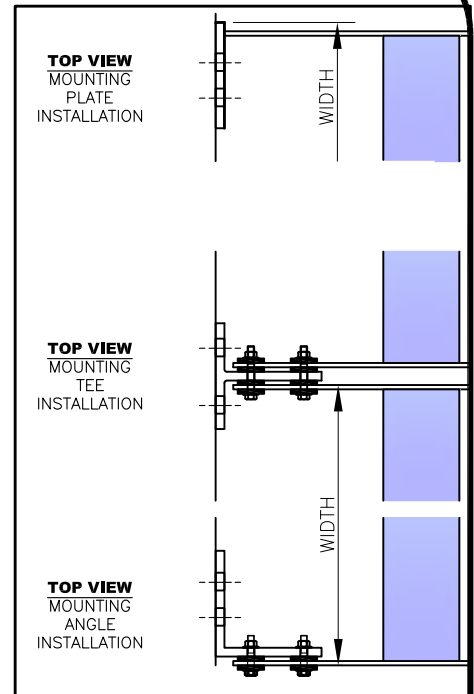


**MOUNTING PLATE INSTALLATION**



**MOUNTING TEE INSTALLATION**



| STANDARD CONSTRUCTION  |  | SUNSHADE FINISH  |  | INSTALLATION METHOD  |  |
|--|--|--|--|--|--|
| <p><b>OUTRIGGERS:</b> MINIMUM 1/4" CUT ALUM PLATE.<br/><b>BLADES:</b> 4" WIDE EXTRUDED BAR. WELDED.<br/><b>FASCIA:</b> 4" DIA ROUND EXTRUDED ALUMINUM TUBE IS STANDARD. OTHER STYLES ARE AVAILABLE.<br/><b>MOUNTING:</b> WELDED MOUNTING PLATE IS STANDARD. OPTIONAL MOUNTING TEE &amp; ANGLE IS AVAILABLE.<br/><b>FINISH:</b> 2-COAT KYNAR 500 FINISH IS STANDARD. OTHER SELECTIONS ARE AVAILABLE.<br/><b>SIZES:</b> MAXIMUM SECTION SIZE IS 96" WIDE x 48" PROJECTION. CONSULT FACTORY FOR LARGER SIZES.</p> |  | <p><input type="checkbox"/> NATURAL MILL<br/><input type="checkbox"/> PRIME COAT<br/><input type="checkbox"/> BAKED ENAMEL<br/><input type="checkbox"/> KYNAR 500 (2-COAT)<br/><input type="checkbox"/> KYNAR 500XL (3-COAT)</p> <p>SPECIFY COLOR SELECTION:</p> |  | <p>ANODIZE</p> <p><b>NOTE:</b><br/>AIROLITE DOES NOT RECOMMEND AN ANODIZED FINISH FOR SUNSHADES. THIS COULD CREATE DIFFERENCES IN SHADE OR COLOR DUE TO THE DIFFERENT ALLOYS USED.</p>     |  |
|  |  |  |  | <p><input type="checkbox"/> MOUNTING TEES &amp; ANGLES BY AIROLITE<br/><input type="checkbox"/> MOUNTING PLATE BY AIROLITE<br/><input type="checkbox"/> KNIFE PLATES OR TEES BY OTHERS</p> |  |
|  |  |  |  | <p>CONSTRUCTION METHOD</p> <p>(WELDED IS ONLY OPTION FOR THIS SUNSHADE)</p>  |  |
|  |  |  |  | <p><b>NOTE:</b><br/>THIS SUNSHADE IS DESIGNED FOR A 25 PSF MAXIMUM TOTAL DESIGN LOAD. CONSULT FACTORY FOR HIGHER LOADING CONDITIONS.</p>   |  |

| ITEM | QTY. | A | B | C | WIDTH | NOTES |
|------|------|---|---|---|-------|-------|
|      |      |   |   |   |       |       |
|      |      |   |   |   |       |       |
|      |      |   |   |   |       |       |
|      |      |   |   |   |       |       |



LOUVER TYPE **Sunshade 4" Bar Blade**  
 MATERIAL: Aluminum  
 DATE: 3-25-09      REV. NO: 0  
 FILE: stdsunshadebarblade

This drawing and the design represented are the confidential and proprietary property of THE AIROLITE COMPANY and may not be disclosed, loaned, copied or used for any purpose other than design review and approval without the expressed written consent of THE AIROLITE COMPANY.