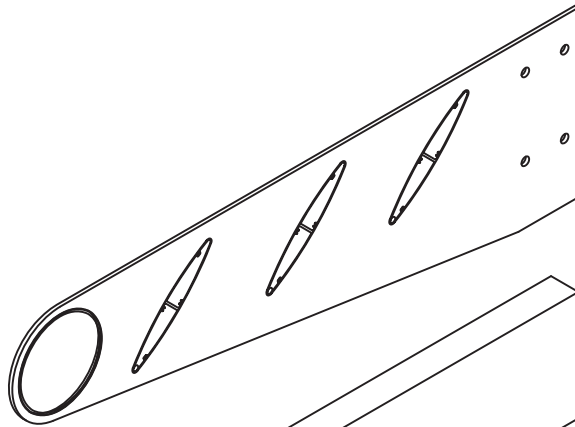
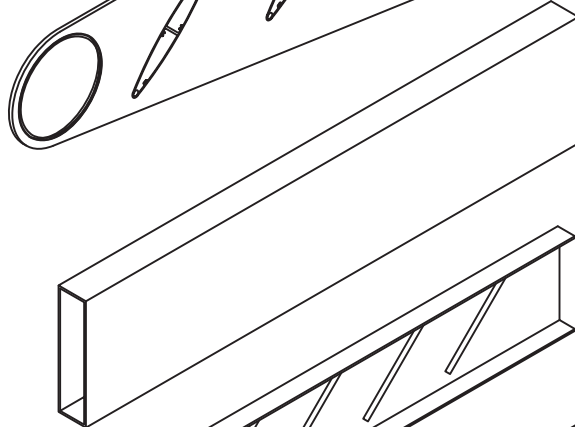


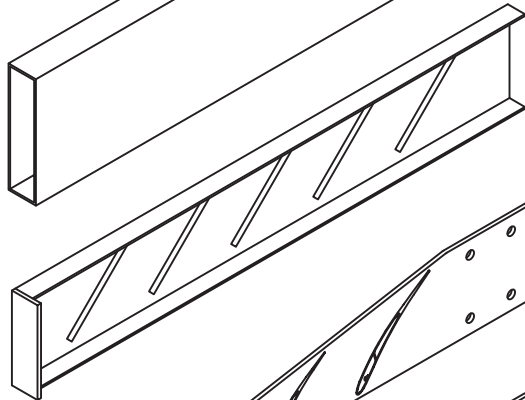
## Outriggers with Blade and Fascia Profiles



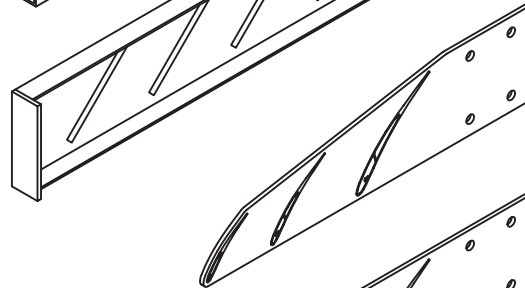
TAPERED ALUMINUM  
PLATE (HOLE FOR  
ROUND TUBE FASCIA,  
AIRFOIL BLADES)



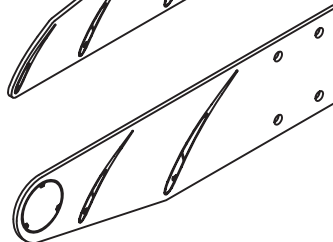
TUBE  
OUTRIGGER



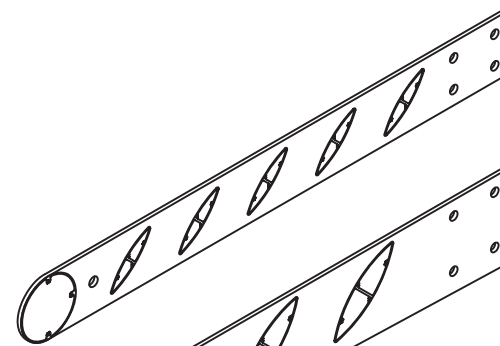
CHANNEL OUTRIGGER  
(FLAT PLATE FASCIA,  
BAR OR LOUVER BLADES)



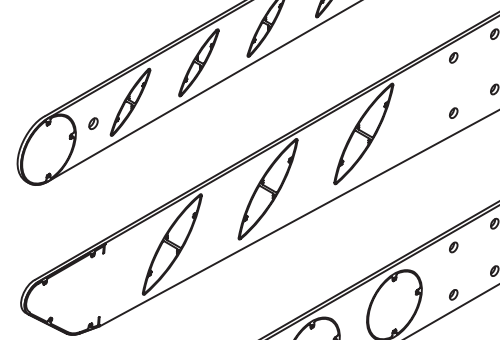
TAPERED ALUMINUM  
PLATE (FAN AIRFOIL  
BLADES)



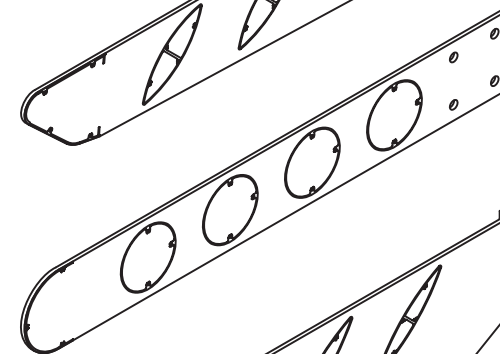
TAPERED ALUMINUM  
PLATE  
(ROUND TUBE FASCIA,  
FAN AIRFOIL BLADES)



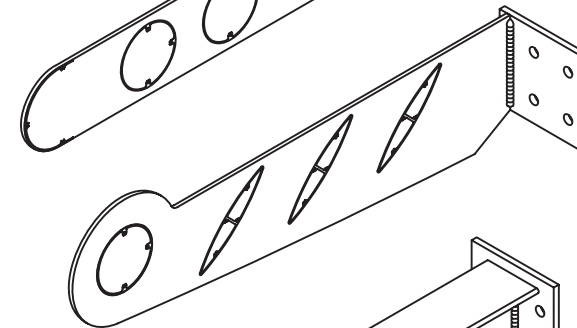
STRAIGHT ALUMINUM  
PLATE (ROUND TUBE FASCIA,  
AIRFOIL BLADES)



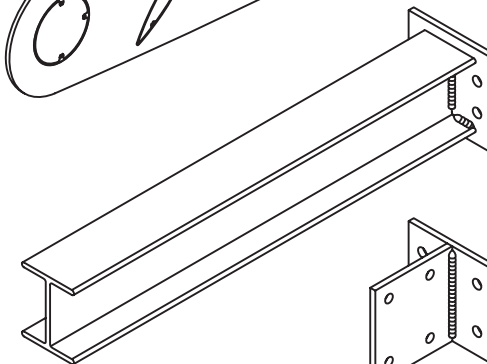
TAPERED ALUMINUM  
PLATE (BULL NOSE FASCIA,  
AIRFOIL BLADES)



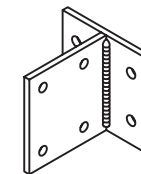
STRAIGHT ALUMINUM  
PLATE (HALF ROUND  
FASCIA, ROUND BLADES)



TAPERED ALUMINUM  
PLATE (HOLE FOR  
ROUND TUBE FASCIA,  
AIRFOIL BLADES -  
W/ATTACHED MOUNT)



ALUMINUM H-BEAM OUTRIGGER  
(PANEL INSTALLATION-  
W/ATTACHED MOUNT)



CUSTOM  
"T"-MOUNT  
BRACKET