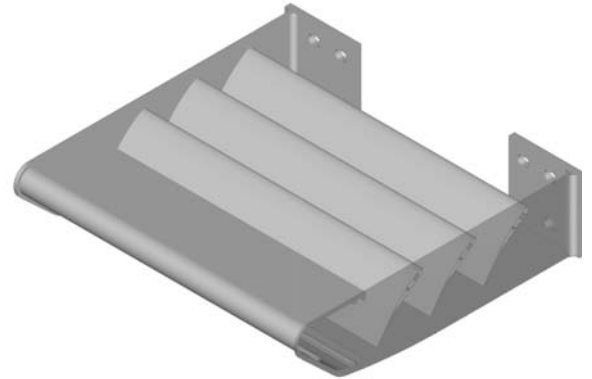


ARCHITECTURAL SUN CONTROL

Sun Control Type	Tear Drop Blade
Blade Material	Extruded Aluminum (Alloy 6063-T5)
Blade Material Thickness	0.081 in. (2.06 mm)
Blade Width	5 in. (127.0 mm) Other widths also available
Outrigger Material	Aluminum Plate (Alloy 5052-H32 or 6061-T6)
Outrigger Material Thickness	min. 0.250 in. (6.35 mm)
Standard Fascia	4 in. (101.6 mm) Round Tube
Optional Fascia	Rectangular Tube, Channel, or Bullnose
Mounting	Plate, Tee, or Angle
Construction	Mechanically Fastened, Welded Optional



**Other configurations of blades, fascias and outriggers available.
 Consult you local Aiolite representative to discuss possible options.*

RECOMMENDED SPECIFICATION

Aiolite Tear Drop Sun Controls are designed and produced to your custom specification. Cantilevered, horizontal, vertical and inclined applications may be utilized to filter up to 80% of the sun's heat and glare, cut wintertime radiant heat loss and integrate natural light into atriums. Tear Drop Sun Controls are produced from extruded aluminum 5" (127.0 mm) tear drop blades. Outriggers are constructed from a minimum of 0.25" (6.35 mm) aluminum plate material. Standard fascia is a 4" (101.6 mm) round tube, but optional fascia may be specified. Welded mounting plates by Aiolite are standard construction with the option for mounting tee or angles. All materials are available in Aiolite's broad array of baked enamel and fluoropolymer for durability and compatibility with adjacent components. Please contact your local Aiolite representative or the factory for assistance with the layout and design of support systems when required.

GENERAL

Where indicated on plan drawings or described in schedules, furnish and install Tear Drop Blade Sun Controls as designed and manufactured by The Aiolite Company LLC, Schofield, Wisconsin. Grilles shall be furnished in the configurations represented on the plan drawings and shall include supports, installation hardware and finishes as specified and required for a complete installation.

SUBMITTALS

Manufacturer shall submit shop drawings incorporating key plans, elevations, sections and details showing profiles, angles and spacing of components and frames; unit dimensions related to wall openings and construction; and, anchorage details and locations. Submit theoretical calculations prepared by a professional engineer specializing in the application of welding technology demonstrating that each fillet weld joining infill elements and frame members will withstand a minimum of 526 pounds of force in shear. Provide samples of manufacturer's finish and color charts showing the full range of finishes and colors available.

PRODUCTS

Architectural Sun Controls shall be Aiolite Tear Drop Blade Sun Control as follows:

- Blade Material: Extruded Aluminum, Alloy 6063-T5
- Blade Material Thickness: 0.081 in. (2.06 mm)
- Blade Width: 5 in. (127.0 mm); other widths also available
- Outrigger Material: Aluminum Plate, Alloy 5052-H32 or 6061-T6
- Outrigger Material Thickness: 0.250 in. (6.35 mm) minimum
- Standard Fascia: 4 in (101.6 mm) Round Tube
- Optional Fascia: Rectangular Tube, Channel, or Bullnose
- Mounting: Plate, Tee or Angle
- Construction: Mechanically Fastened, Welded Optional

ALL-WELDED ASSEMBLY

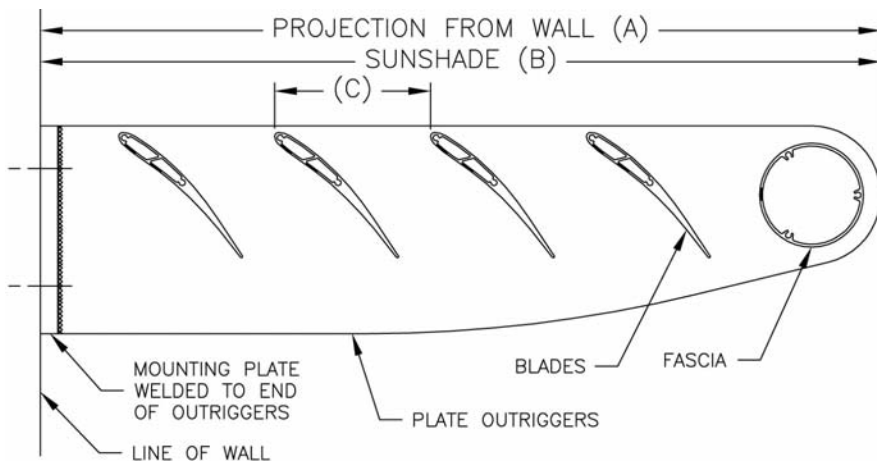
All aluminum and frame components shall be assembled with fillet welds concealed from view, unless the size of the grille makes bolted connections between grille sections necessary. Each weld shall be a produced with the Pulsed Gas Metal Arc Welding (GMAW Mig) process. Intermediate connections shall be joined with a 1-inch (25.4 mm) long fillet weld with a minimum 1/8" (3.175 mm) leg. Frames shall be joined at each corner with a full-length GMAW fillet weld with a minimum 1/8-inch (3.175 mm) throat.

STRUCTURAL DESIGN CRITERIA

Manufacturer shall design and furnished all supports required to withstand a wind force of not less than 25 pounds per square foot. Consult factory for higher loading conditions. Maximum section size is 96-inches (3,048 mm) wide x 48-inches (3,048 mm) projection. Consult factory for larger sizes. Sun Control members, blades, outriggers, fascia and anchorages shall be demonstrated to withstand the specified wind design load.

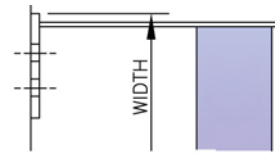
See page 2 for complete finish options

SUN CONTROL TYPE TEAR DROP DETAILS & FINISH OPTIONS

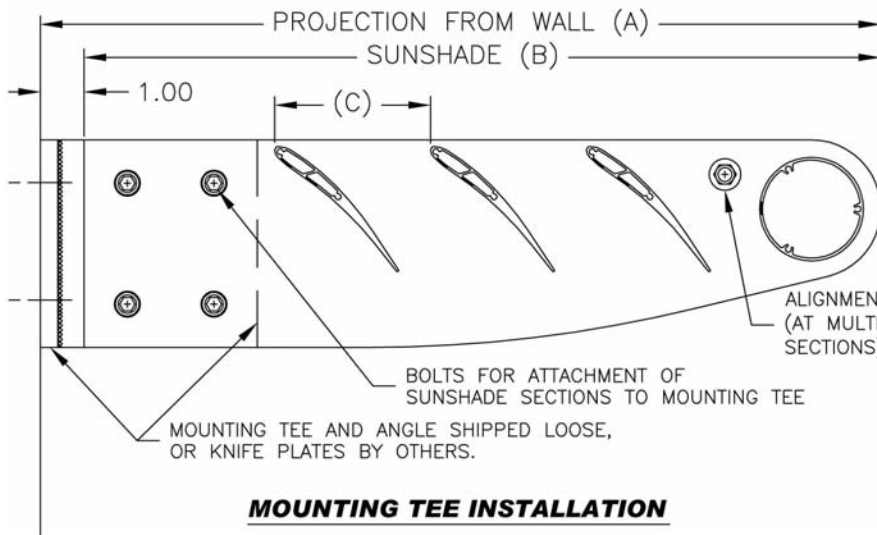
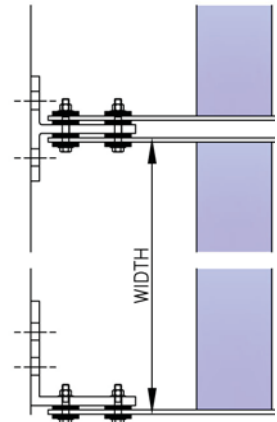


MOUNTING PLATE INSTALLATION

**TOP VIEW
MOUNTING
PLATE
INSTALLATION**

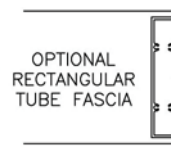


**TOP VIEW
MOUNTING
TEE
INSTALLATION**

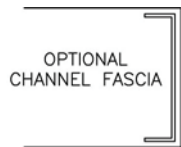


MOUNTING TEE INSTALLATION

**TOP VIEW
MOUNTING
ANGLE
INSTALLATION**



OPTIONAL
RECTANGULAR
TUBE FASCIA



OPTIONAL
CHANNEL FASCIA



OPTIONAL
BULLNOSE FASCIA

FINISHES (Select one of the following)

ACRYLIC ENAMEL: Louvers shall be cleaned, pretreated and FINISHED-AFTER-ASSEMBLY with an oven-cured thermosetting acrylic enamel finish that meets or exceeds the performance requirements of AAMA 2603, "Voluntary Specification Performance Requirements and Test Procedures for Pigmented Organic Coatings."

2-COAT FLUOROPOLYMER: Louvers shall be cleaned, pretreated and FINISHED-AFTER-ASSEMBLY with an inhibitive primer and oven-cured Kynar 500® / Hylar 5000® resin coating with minimum 1.2 mils dry-film coating thickness that meets or exceeds the performance requirements of AAMA 2605, "Voluntary Specification, Performance Requirements and Test Procedures for Superior Performance Organic Coatings on Aluminum Extrusions and Panels."

3-COAT FLUOROPOLYMER: Louvers shall be cleaned, pretreated and FINISHED-AFTER-ASSEMBLY with an inhibitive primer and oven-cured Kynar 500® / Hylar 5000® resin coating with minimum 2.0 mils dry-film coating thickness that meets or exceeds the performance requirements of AAMA 2605, "Voluntary Specification, Performance Requirements and Test Procedures for Superior Performance Organic Coatings on Aluminum Extrusions and Panels."



P.O. Box 410, 525 Western Road, Schofield, WI 54476-0410 USA
715.841.8757 • fax 715.841.8773 • www.airolite.com

THE ALL-WELDED ADVANTAGE

Submittal Tear Drop Sun Control June 2009
Copyright ©2009 The Aiolrite Company, LLC

The Aiolrite Company, LLC reserves the right
to make product changes.