

# 15" and 18" Large Airfoil Blade

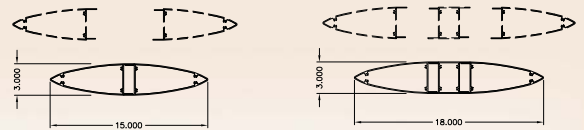
**The Aiolite Large Airfoil Blade** is a 15-inch deep, extruded aluminum airfoil blade, with the option of extending the configuration to 18-inches deep.

Large airfoil blades are desirable on monumental buildings where sun control devices are intended to be a visual enhancement to the building design. These large airfoil blades can be used in a variety of configurations and are produced to your custom specification. Cantilevered, horizontal, vertical and inclined applications may be utilized to filter up to 80% of the sun's heat and glare, cut wintertime radiant heat loss and integrate natural light into atriums.

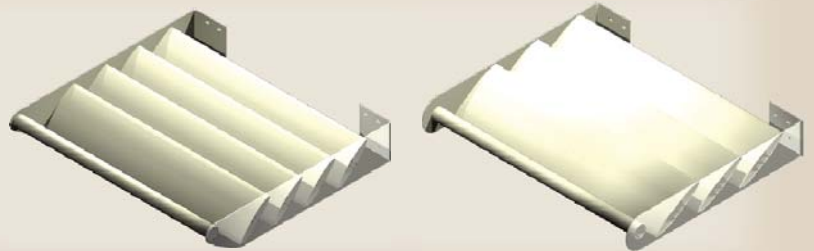
All materials are available in Aiolite's broad array of baked enamel, fluoropolymer, and clear or color anodize coatings for durability and compatibility with adjacent materials.

Contact your local Aiolite representative or the factory for

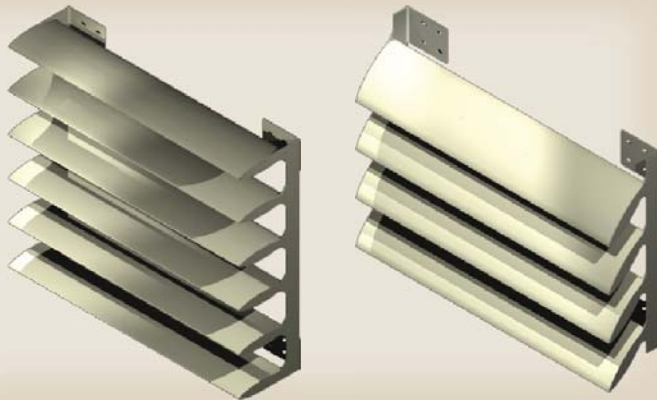
- assistance with the layout and design of support systems when required, and
- special design applications, including custom blade widths and shapes.



*Traditional  
Cantilevered  
Orientation*



*Horizontal  
Blades  
.....  
Vertical  
Mounting*



*Vertical  
Blades  
.....  
Vertical  
Mounting*

